

# Avant Multi Avant MultiPlus Parts list

MULTI 13B, HONDA GX390 13 HP PETROL	A2554
MULTI 14D, KUBOTA Z482 14 HP DIESEL	A2555
MULTI 20D, KUBOTA D722 20 HP DIESEL	A2624
MULTIPLUS 20D, KUBOTA D722	A2655

---

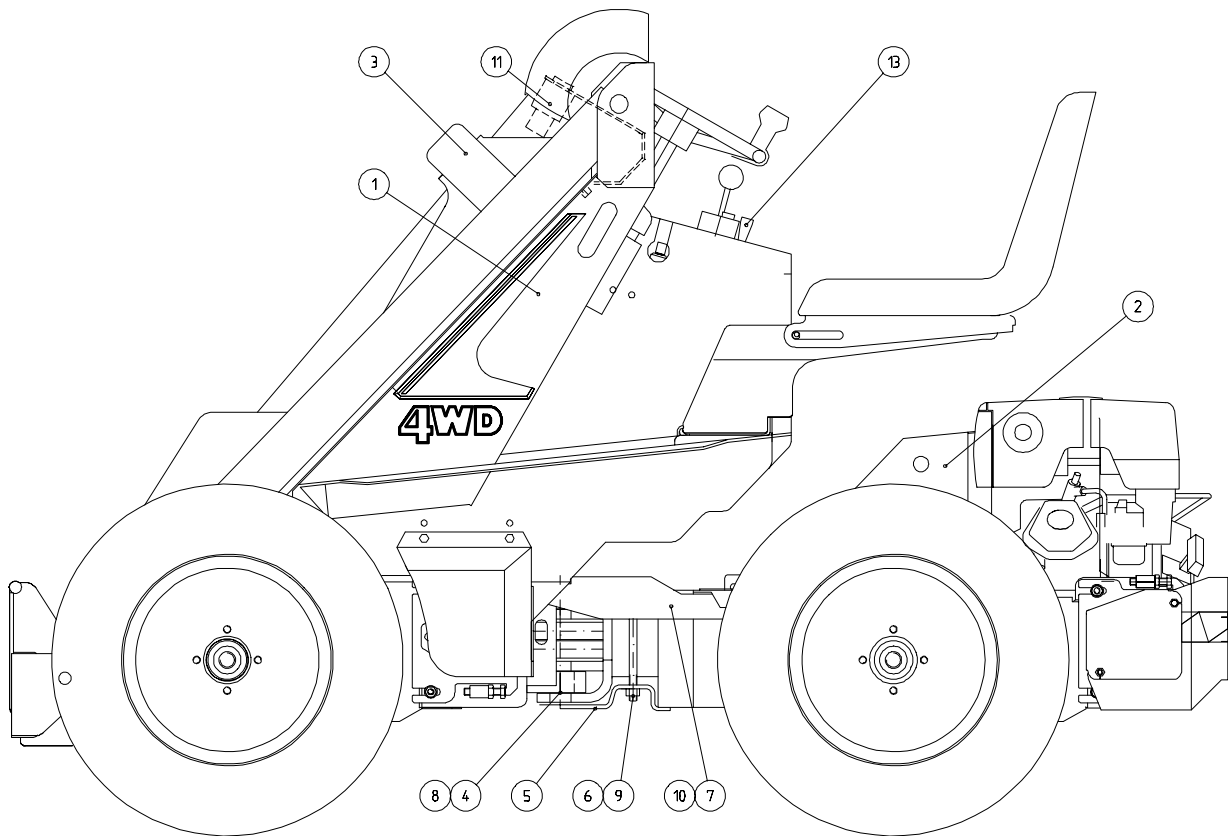
MANUFACTURER:

AVANT TECNO OY  
Ylötie 1, FIN-33470 YLÖJÄRVI, FINLAND  
Tel. int. +358 3 34 78 800  
Telefax +358 3 34 85 511  
email@avanttecono.com

## TABLE OF CONTENTS

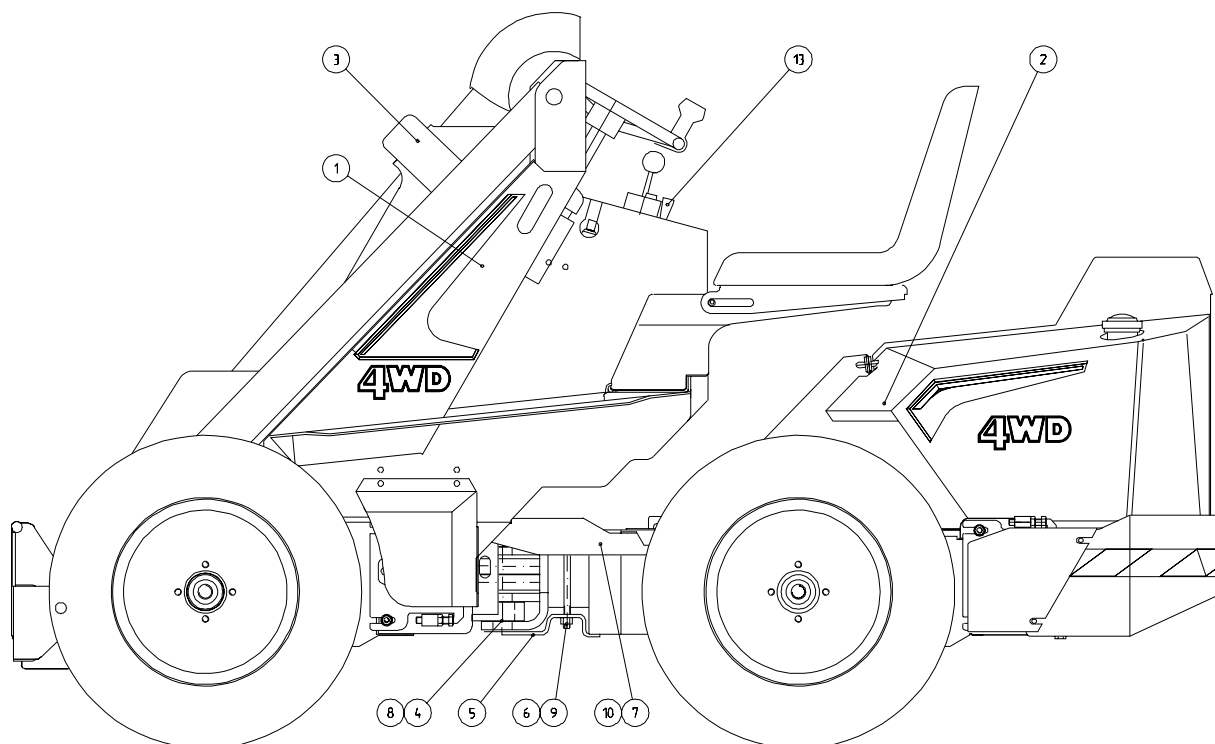
MULTI 13B HONDA GX390 A2554 .....	3
MULTI 14D KUBOTA Z482 A2555 .....	4
MULTI 20D KUBOTA D722 A2624 .....	5
MULTIPLUS KUBOTA D722 A2655 .....	6
ENGINE, ASSEMBLY, HONDA GX390 A31443 .....	7
CHASSIS, FRONT, ASSEMBLY A2657 .....	8
CHASSIS, FRONT, ASSEMBLY, MULTIPLUS A2684 .....	10
CHASSIS, REAR, ASSEMBLY, HONDA GX390 A2673 .....	12
CHASSIS, REAR, ASSEMBLY, KUBOTA Z482 A2741 .....	14
CHASSIS, REAR, ASSEMBLY, KUBOTA D722 A2751 .....	16
CHASSIS, REAR, ASSEMBLY, MULTIPLUS KUBOTA D722 A2729 .....	18
ENGINE, ASSEMBLY, KUBOTA Z482 A2746 .....	20
ENGINE, ASSEMBLY, KUBOTA D722 STD A2745 .....	22
ENGINE, ASSEMBLY, MULTIPLUS KUBOTA D722 A2744 .....	24
TELESCOPIC LOADER BOOM A2628 .....	27
LOADER BOOM A2487 .....	28
TRANSMISSION, DRIVE, MULTI A31411 .....	29
TRANSMISSION, DRIVE, MULTIPLUS A31451 .....	30
HYDRAULIC HOSES, DRIVE, A31407 .....	31
HYDRAULIC HOSES, DRIVE, MULTIPLUS A31445 .....	32
FOOT THROTTLE A43019 .....	33
DRIVE PEDAL LEVER SYSTEM A31400 .....	34
DRIVE PEDAL, MULTIPLUS A31447 .....	35
HYDRAULIC OIL COOLER A31401 .....	36
PARKING BRAKE A31440 .....	37
MAIN CONTROL VALVE + HOSE ASSEMBLY A31408 .....	38
MAIN CONTROL VALVE + HOSE ASSEMBLY / WITH OIL COOLER A31442 .....	40

## MULTI 13B HONDA GX390 A2554



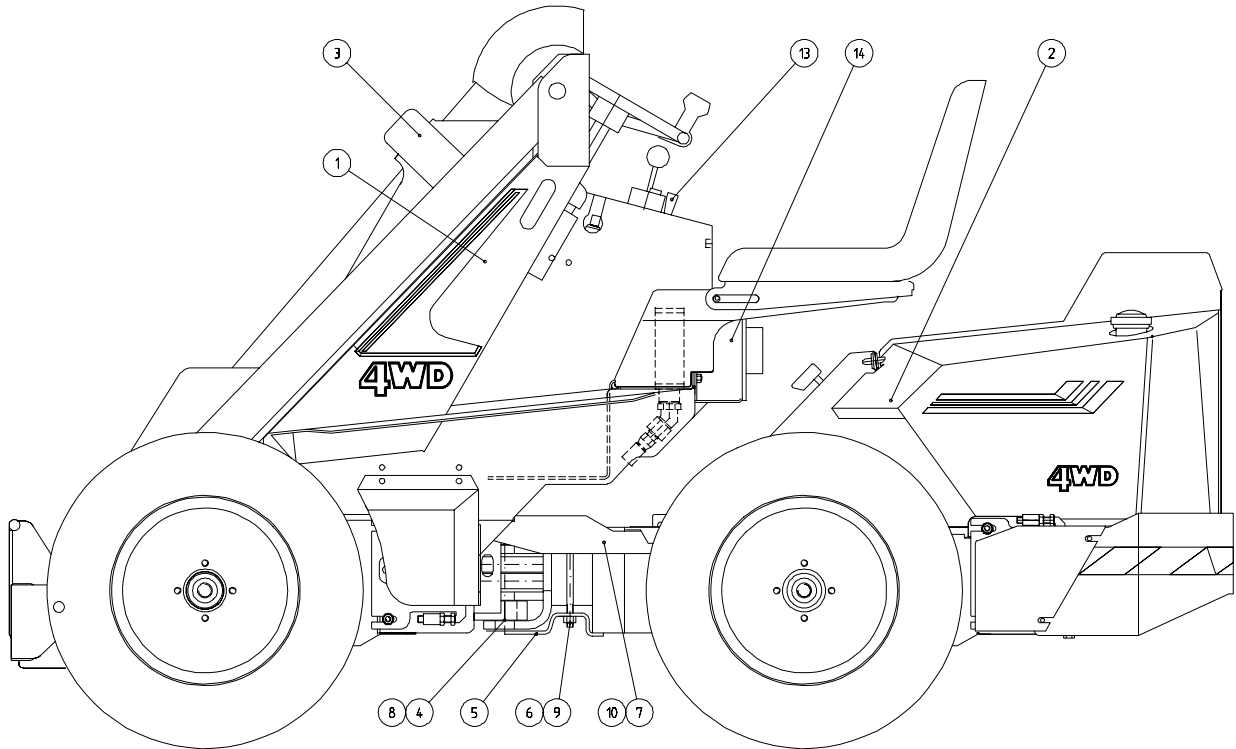
1	A2657	1	CHASSIS, FRONT, ASSEMBLY
2	A2673	1	CHASSIS, REAR, ASSEMBLY, MULTI 13B/GX390
3	A2487	1	LOADER BOOM, ASSEMBLY
4	A42940	2	PIVOT PIN $\varnothing$ C35, ASSEMBLY
5	A42723	1	LOCKING PLATE
6	A43036	1	RIVET
7	A42772	1	LOCKING DEVICE
8	72052	4	COUNTERSUNK SOCKET HEAD SCREW M8*20
9	72324	2	HEXAGONAL NUT M12 DIN 985 NYLOC
10	71727	1	RING SPLINT 9,5 MM
11	A1293	1	WIRE HARNESS MULTI 13B / HONDA GX390
12	A31407	1	HYDRAULIC HOSES, DRIVE
13	A31408	1	MAIN CONTROL VALVE + HOSE ASSEMBLY

## MULTI 14D KUBOTA Z482 A2555



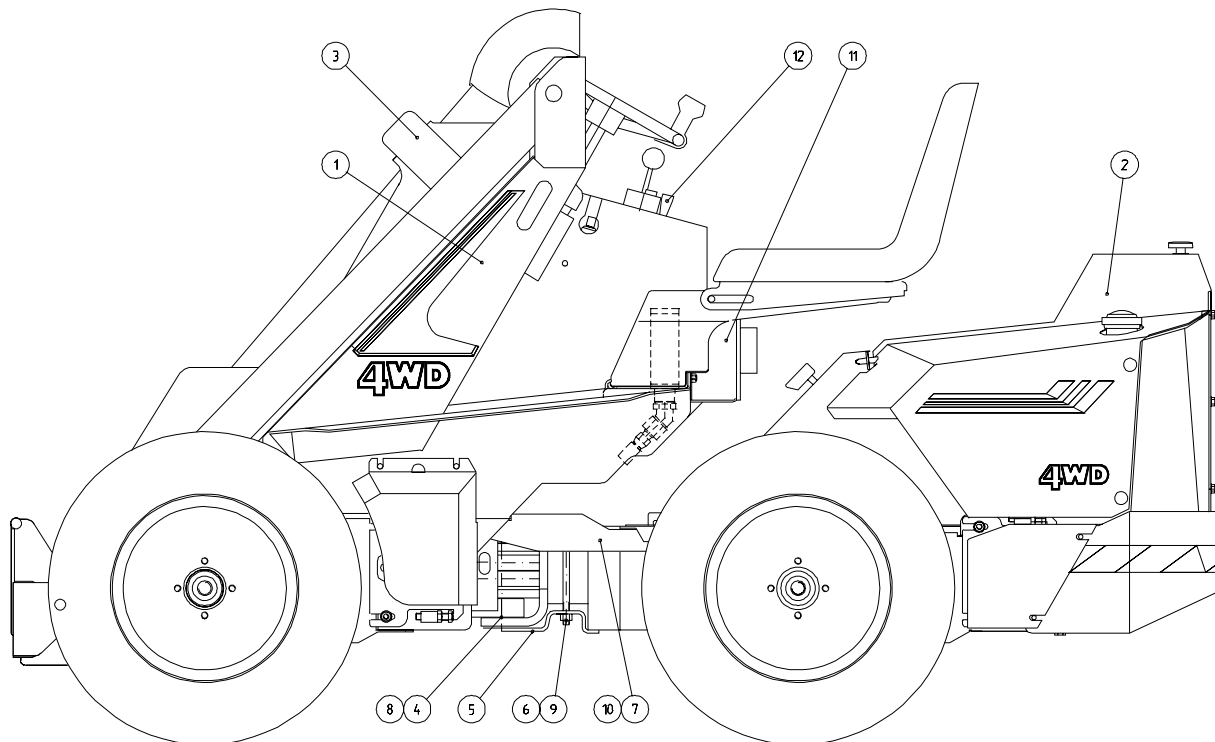
1	A2657	1	CHASSIS, FRONT, ASSEMBLY
2	A2741	1	CHASSIS, REAR, ASSEMBLY, MULTI Z482
3	A2487	1	LOADER BOOM, ASSEMBLY
4	A42940	2	PIVOT PIN $\varnothing$ C35, ASSEMBLY
5	A42723	1	LOCKING PLATE
6	A43036	1	RIVET
7	A42772	1	LOCKING DEVICE
8	72052	4	COUNTERSUNK SOCKET HEAD SCREW M8*20
9	72324	2	HEXAGONAL NUT M12 DIN 985 NYLOC
10	71727	1	RING SPLINT 9,5 MM
11	A1292	1	WIRE HARNESS MULTI 14D / KUBOTA Z482
12	A31407	1	HYDRAULIC HOSES, DRIVE
13	A31408	1	MAIN CONTROL VALVE + HOSE ASSEMBLY

**MULTI 20D KUBOTA D722  
A2624**



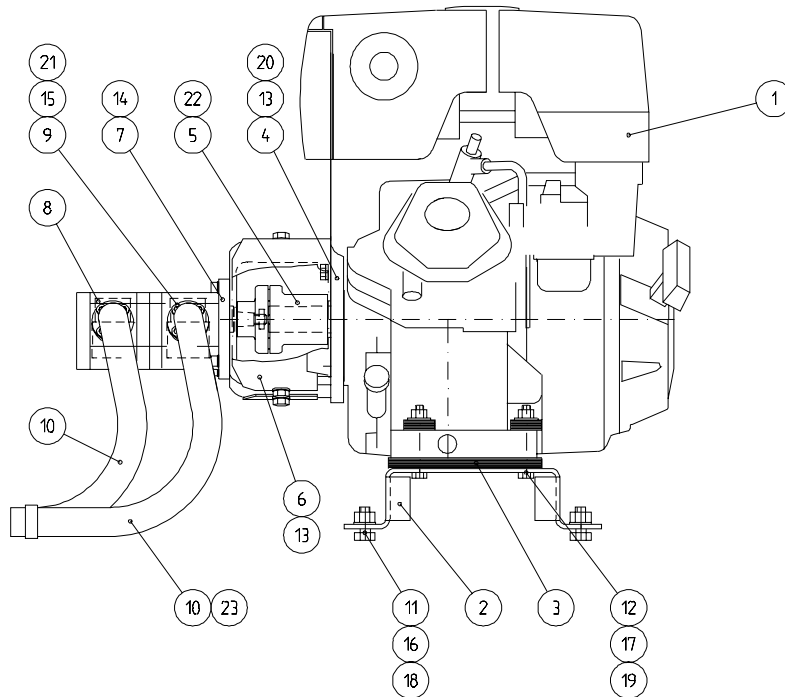
1	A2657	1 CHASSIS, FRONT, ASSEMBLY
2	A2751	1 CHASSIS, REAR, ASSEMBLY, MULTI D722
3	A2487	1 LOADER BOOM, ASSEMBLY
4	A42940	2 PIVOT PIN $\varnothing$ C35, ASSEMBLY
5	A42723	1 LOCKING PLATE
6	A43036	1 RIVET
7	A42772	1 LOCKING DEVICE
8	72052	4 COUNTERSUNK SOCKET HEAD SCREW M8*20
9	72324	2 HEXAGONAL NUT M12 DIN 985 NYLOC
10	71727	1 RING SPLINT 9,5 MM
11	A1281	1 WIRE HARNESS D722, BATTERY CHARGER 40A
12	A31407	1 HYDRAULIC HOSES, DRIVE
13	A31442	1 MAIN CONTROL VALVE + HOSE ASSY/WITH COOLER
14	A31401	1 HYDRAULIC OIL COOLER, ASSEMBLY

## MULTIPLUS KUBOTA D722 A2655



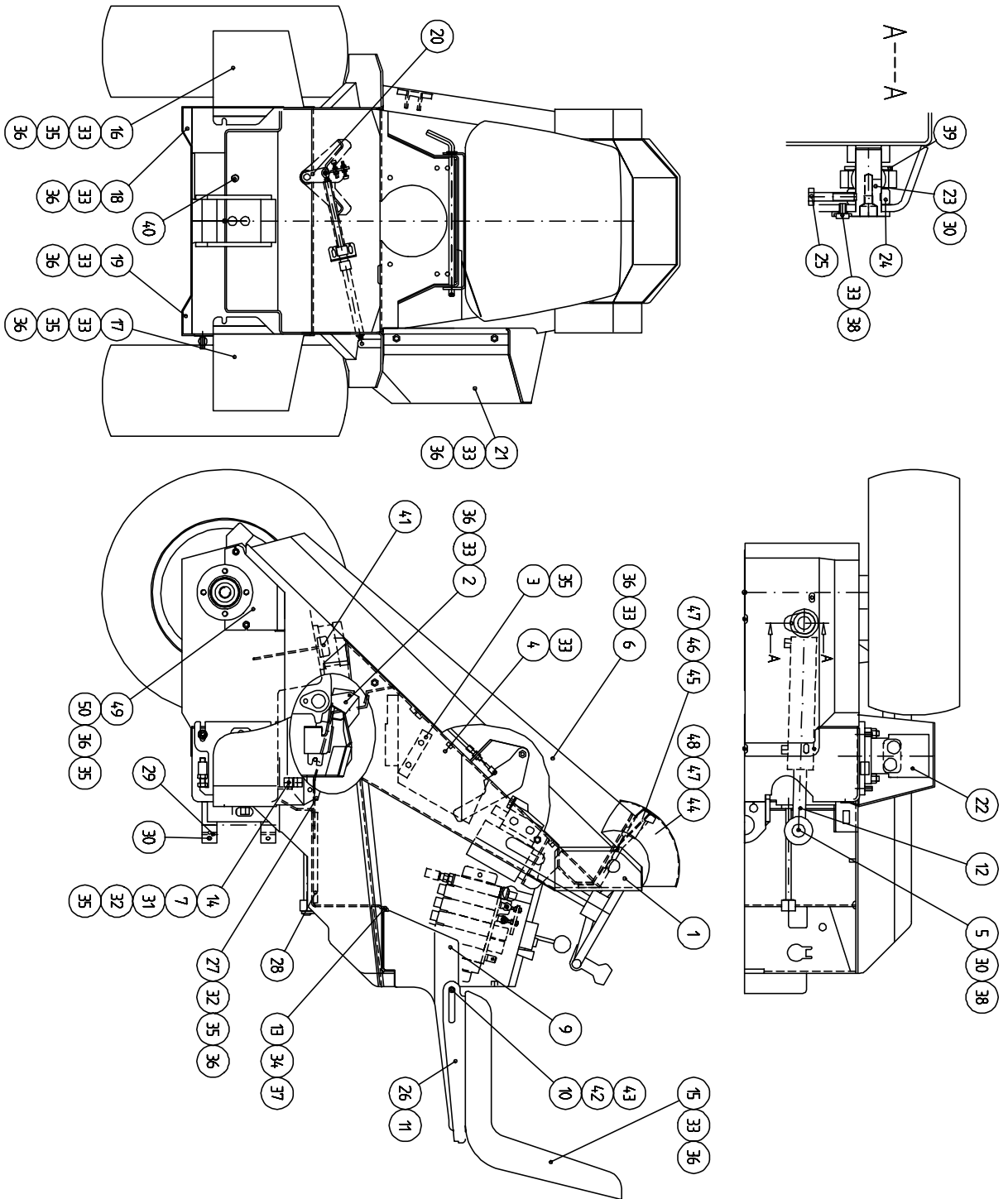
1	A2684	1	CHASSIS, FRONT, ASSEMBLY, MULTIPLUS
2	A2729	1	CHASSIS, REAR, ASSEMBLY, MULTI D722
3	A2487	1	LOADER BOOM, ASSEMBLY
4	A42940	2	PIVOT PIN $\varnothing$ C35, ASSEMBLY
5	A42723	1	LOCKING PLATE
6	A43036	1	RIVET
7	A42772	1	LOCKING DEVICE
8	72052	4	COUNTERSUNK SOCKET HEAD SCREW M8*20
9	72324	2	HEXAGONAL NUT M12 DIN 985 NYLOC
10	71727	1	RING SPLINT 9,5 MM
11	A31401	1	HYDRAULIC OIL COOLER, ASSEMBLY
12	A31445	1	HYDRAULIC HOSES, DRIVE, MULTIPLUS

## ENGINE, ASSEMBLY, HONDA GX390 A31443



1	64125	1	COMBUSTION ENGINE	HONDA GX390
2	A42849	1	ENGINE SUPPORT,	GX390
3	A4431	2	VIBRATION DAMPER,	OIL RESISTANT 10*140*225
4	A31094	1	HYDRAULIC PUMP SUPPORT,	HONDA GX390
5	A4419	1	COUPLING YLÖ-KATTI,	TOOLED
6	A42117	2	COUPLING COVER	
7	64153	1	GEAR PUMP PLP 10,6.3-86E1/10.4D	
8	73747	2	PRESSURE FLANGE 1 GQ 38 (R3/8" AL)	
9	A4428	2	INLET FLANGE FE52C F40-36	
10	A43037	2	INLET HOSE øC20 L=700	
11	72150	4	HEXAGONAL SCREW M10*25 DIN 933ZN	
12	72139	4	HEXAGONAL SCREW M8*60 DIN 931	
13	71884	8	HEXAGONAL HEAD SCREW M8*25 DIN 912	
14	71880	4	HEXAGONAL HEAD SCREW M6*25 DIN 912	
15	73766	8	HEXAGONAL HEAD SCREW M6*16 DIN 912	
16	72322	4	HEXAGONAL NUT M10 DIN 985 NYLOC	
17	72320	4	HEXAGONAL NUT M8 DIN 985 NYLOC	
18	73121	4	WASHER M10 DIN 125 ZN	
19	71685	4	WASHER M8 R9 DIN440 ZN	
20	73962	4	WASHER M8 DIN127	
21	73744	2	O-RING NBR F15,1*1,6	
22	A42106	1	BUSHING F35/F25,3-14	
23	73530	4	HOSE CLAMP 22-32 MM	

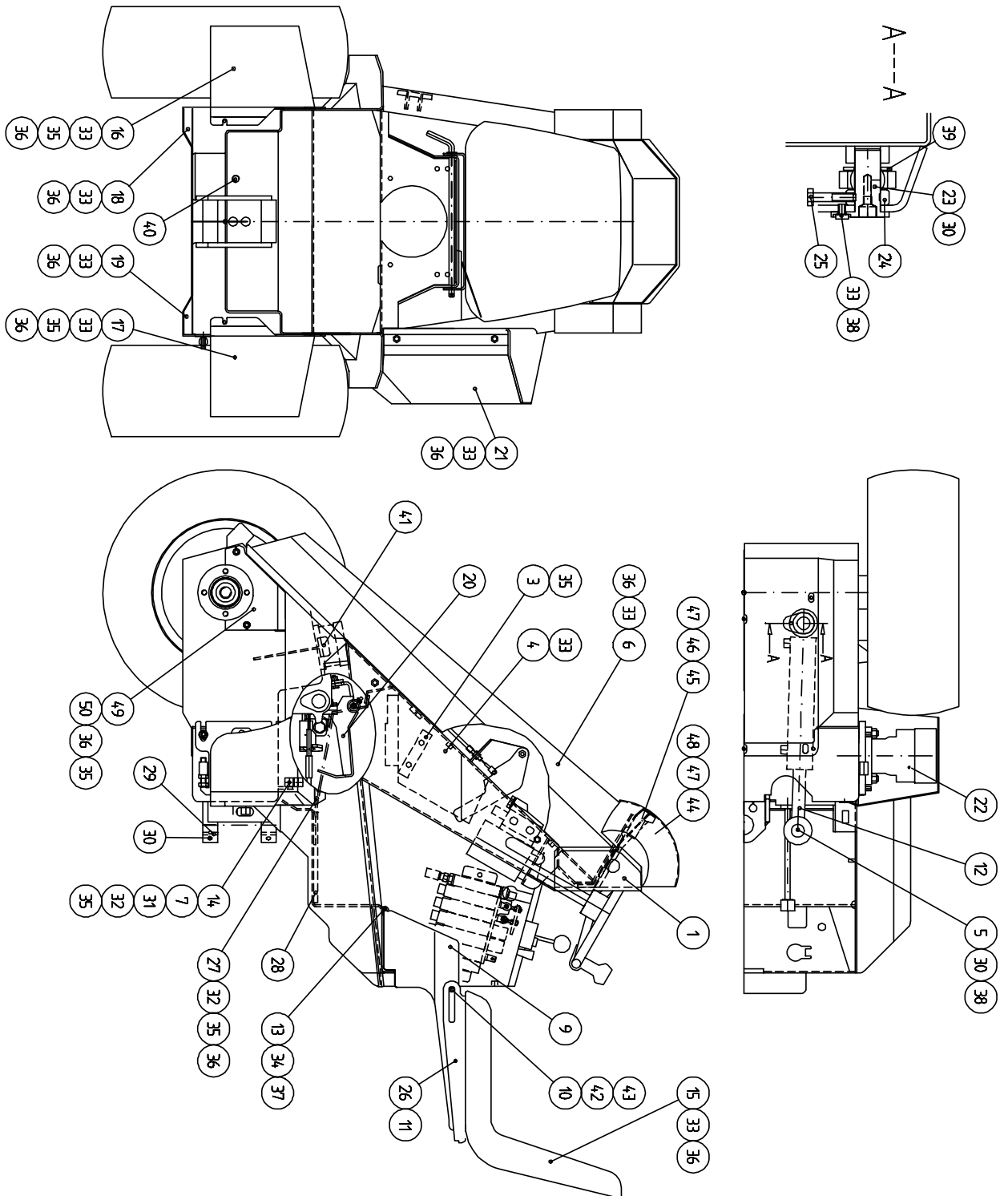
# CHASSIS, FRONT, ASSEMBLY A2657





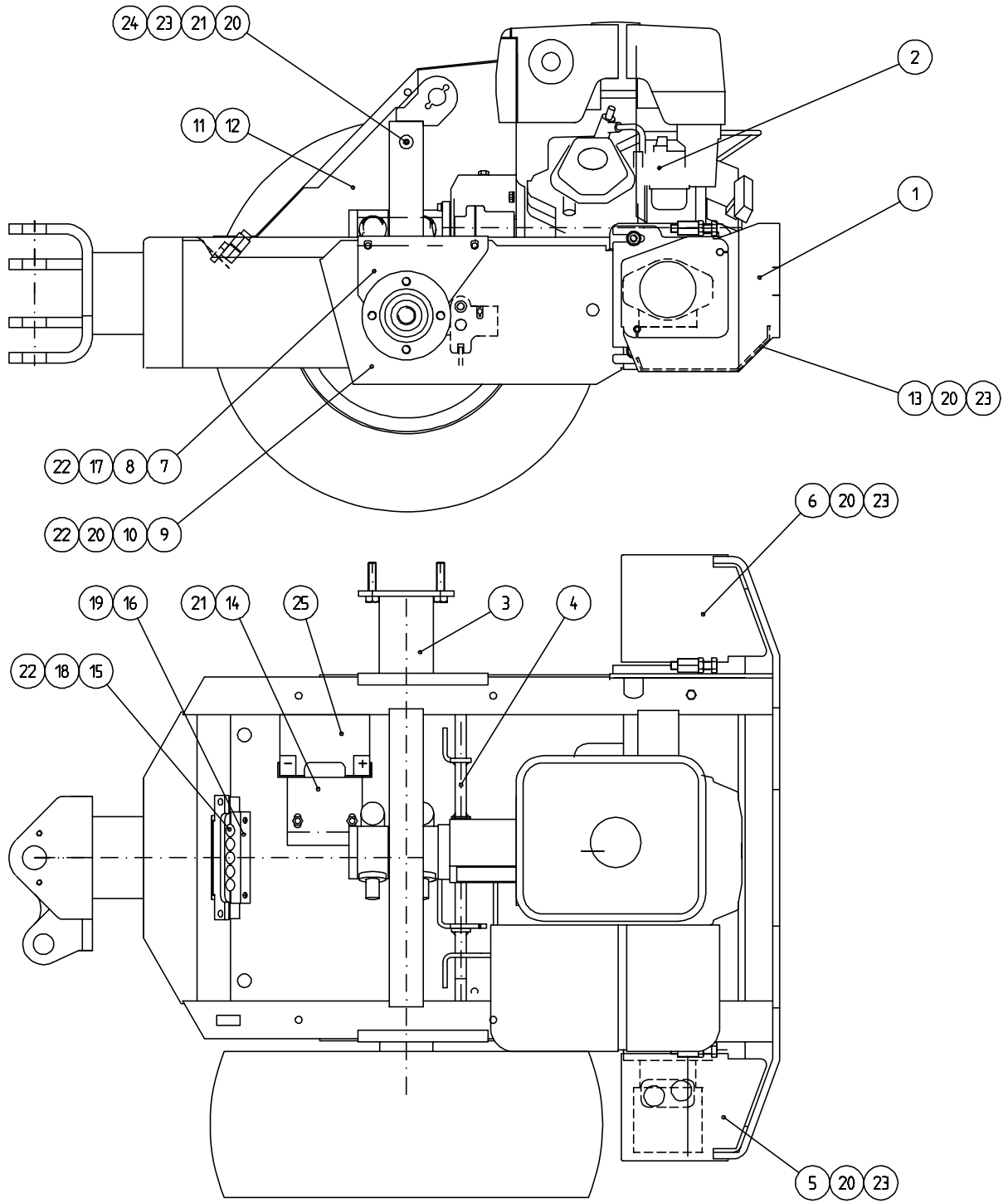
1	A2645	1	CHASSIS FRAME, FRONT, WELDING ASSEMBLY
2	A43019	1	FOOT THROTTLE, ASSEMBLY
3	A42439	1	HOSE CLAMP
4	A42770	1	HOSE COVER
5	A42805	1	PIVOT PIN, ARTICUL. CYLINDER øC30, FRONT
6	A31568	1	COVER PLATE (BONNET), SHORT
7	A42793	1	HOSE CLAMP, UPPER
9	A42811	1	SEAT FRAME ("BAT"), ASSEMBLY
10	A41867	1	PIVOT PIN, SEAT
11	A31014	1	SEAT LOCKING HANDLE
12	A42791	1	ARTICULATION CYLINDER
13	A41952	2	HINGE LOOP, WELDING ASSEMBLY
14	A42796	1	HOSE CLAMP, UPPER, ASSEMBLY
15	64106	1	SEAT PRAMA ART. 205SC
16	A42780	1	COVER, HYDRAULIC MOTOR, LEFT
17	A42670	1	COVER, HYDRAULIC MOTOR, RIGHT
18	A43476	1	CHAIN COVER, LEFT, ASSEMBLY
19	A43477	1	CHAIN COVER, RIGHT, ASSEMBLY
20	A31400	1	DRIVE PEDAL LEVER SYSTEM
21	A42727	1	COVER, CONTROL VALVE
22	A31411	1	TRANSMISSION, DRIVE, ASSEMBLY
23	A42804	1	PIVOT PIN, ARTICUL. CYLINDER øC30, REAR
24	A42800	1	LOCKING BUSHING
25	A42806	1	LOCKING SCREW
26	A31013	1	SUPPORT, SEAT
27	A43170	1	BOTTOM PLATE
28	A42773	1	CARPET
29	A42797	2	BUSHING
30	72798	4	FITTING R 1/8" STRAIGHT
31	72135	2	HEXAGONAL SCREW M8*40 DIN 931
32	72133	4	HEXAGONAL SCREW M8*30 DIN 933
33	73039	28	HEXAGONAL SCREW M8*16 DIN 933 ZN
34	72322	2	HEXAGONAL NUT M10 DIN 985 NYLOC
35	72320	10	HEXAGONAL NUT M8 DIN 985 NYLOC
36	73122	30	WASHER M8 DIN 125 ZN
37	73121	2	WASHER M10 DIN 125 ZN
38	73962	2	SPRING WASHER M8 127
39	74435	1	WASHER M30 DIN 125 ZN
40	74411	1	HEXAGONAL PLUG HF 3/8"
41	A3958	1	DIPSTICK-BREATHER
42	73356	1	WASHER M12 DIN 126 ZN
43	71725	1	RING SPLINT 4,5 MM
44	A31542	1	FINGER PROTECTING COVER
45	A31509	1	DASHBOARD / MULTI / HOLES
46	A31594	1	ELECTRIC SYSTEM, ASSEMBLY
47	72116	8	HEXAGONAL SCREW M6*12 DIN 933 ZN
48	73355	4	WASHER M6 DIN 126 ZN
49	A43478	1	GAP SEALING PLATE, LEFT
50	A43479	1	GAP SEALING PLATE, RIGHT

# CHASSIS, FRONT, ASSEMBLY, MULTIPLUS A2684



1	A2674	1	CHASSIS FRAME, FRONT, ASSEMBLY, MULTIPLUS
2	73762	1	CONTROL DEVICE F7110 (HAND THROTTLE)
3	A42439	1	HOSE CLAMP
4	A42770	1	HOSE COVER
5	A42805	1	PIVOT PIN, ARTICUL. CYLINDER øC30, FRONT
6	A31568	1	COVER PLATE (BONNET), SHORT
7	A43097	1	HOSE CLAMP, LOWER, MULTIPLUS
8	A43104	1	THROTTLE WIRE, MULTIPLUS
9	A42811	1	SEAT FRAME ("BAT"), ASSEMBLY
10	A41867	1	PIVOT PIN, SEAT
11	A31014	1	SEAT LOCKING HANDLE
12	A42791	1	ARTICULATION CYLINDER
13	A41952	2	HINGE LOOP, WELDING ASSEMBLY
14	A43098	1	HOSE CLAMP, UPPER, MULTIPLUS
15	64106	1	SEAT PRAMA ART. 205SC
16	A43040	1	COVER, HYDRAULIC MOTOR/WHI, LEFT
17	A43041	1	COVER, HYDRAULIC MOTOR/WHI, RIGHT
18	A42778	1	CHAIN COVER, LEFT, ASSEMBLY
19	A42779	1	CHAIN COVER, RIGHT, ASSEMBLY
20	A31447	1	DRIVE PEDAL
21	A42727	1	COVER, CONTROL VALVE
22	A31451	1	TRANSMISSION, DRIVE, MULTIPLUS, ASSEMBLY
23	A42804	1	PIVOT PIN, ARTICUL. CYLINDER øC30, REAR
24	A42800	1	LOCKING BUSHING
25	A42806	1	LOCKING SCREW
26	A31013	1	SUPPORT SEAT
27	A43171	1	BOTTOM PLATE, MULTIPLUS
28	A42773	1	CARPET
29	A42797	2	BUSHING
30	72798	4	FITTING R 1/8" STRAIGHT
31	72135	2	HEXAGONAL SCREW M8*40 DIN 931
32	72133	4	HEXAGONAL SCREW M8*30 DIN 933
33	73039	26	HEXAGONAL SCREW M8*16 DIN 933 ZN
34	72322	2	HEXAGONAL NUT M10 DIN 985 NYLOC
35	72320	14	HEXAGONAL NUT M8 DIN 985 NYLOC
36	73354	32	WASHER M8 DIN 126 ZN
37	73121	2	WASHER M10 DIN 125 ZN
38	73962	2	SPRING WASHER M8 127
39	74435	1	WASHER M30 A31 DIN 125 ZN
40	74411	1	HEXAGONAL PLUG HF 3/8"
41	A3958	1	DIPSTICK-BREATHER
42	73356	1	WASHER M12 DIN 126 ZN
43	71725	1	RING SPLINT 4,5 MM
44	A31542	1	FINGER PROTECTING COVER
45	A31509	1	DASHBOARD / MULTI / HOLES
46	A31594	1	ELECTRIC SYSTEM, ASSEMBLY
47	72116	8	HEXAGONAL SCREW M6*12 DIN 933 ZN
48	73355	4	WASHER M6 DIN 126 ZN
49	A43478	1	GAP SEALING PLATE, LEFT
50	A43479	1	GAP SEALING PLATE, RIGHT

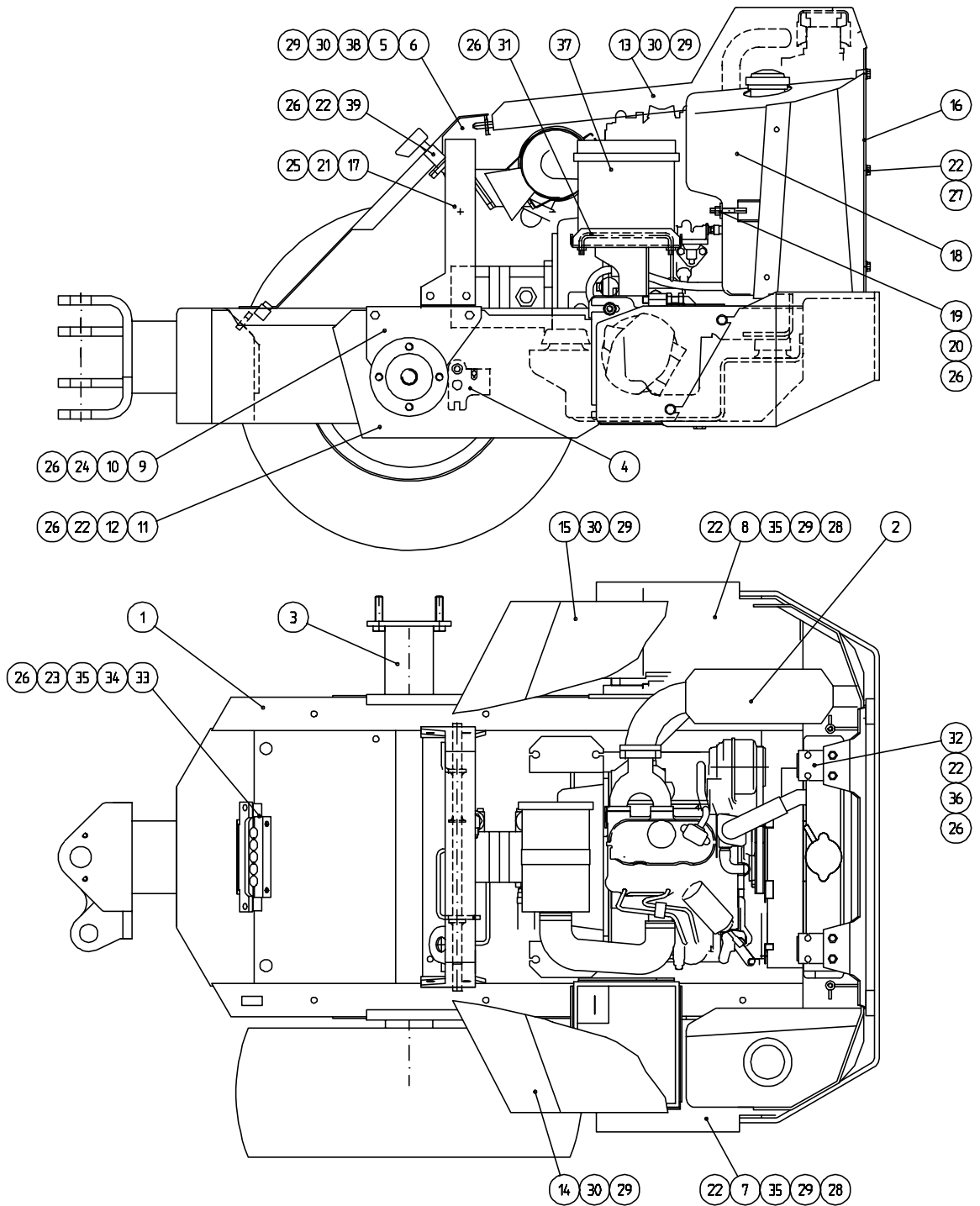
**CHASSIS, REAR, ASSEMBLY,  
MULTI 13B / HONDA GX390  
A2673**



**CHASSIS, REAR, ASSEMBLY, HONDA GX390****A2673**

1	A2647	1	CHASSIS FRAME, REAR, ASSEMBLY, HONDA GX390
2	A31443	1	ENGINE, ASSEMBLY, MULTI/HONDA GX390
3	A31411	1	TRANSMISSION, DRIVE, ASSEMBLY
4	A31440	1	PARKING BRAKE, ASSEMBLY
5	A42851	1	COVER, REAR, HYDRAULIC MOTOR, LEFT
6	A42852	1	COVER, REAR, HYDRAULIC MOTOR, RIGHT
7	A42674	1	GAP COVER, LEFT
8	A42846	1	GAP COVER, RIGHT
9	A42847	1	CHAIN COVER, REAR, LEFT, ASSEMBLY
10	A42848	1	CHAIN COVER, REAR, RIGHT, ASSEMBLY
11	A42870	1	COVER, FRONT, GX390, LEFT, ASSEMBLY
12	A42871	1	COVER, FRONT, GX390, RIGHT, ASSEMBLY
13	A42731	2	BOTTOM COVER, HYDRAULIC MOTOR, GX390
14	A42709	1	BATTERY SUPPORT 14AH
15	A42794	1	HOSE CLAMP, LOWER
16	A42796	1	HOSE CLAMP, UPPER, ASSEMBLY
17	72141	4	HEXAGONAL SCREW M8*70 DIN 931
18	72135	2	HEXAGONAL SCREW M8*40 DIN 931
19	72133	2	HEXAGONAL SCREW M8*30 DIN 933
20	72130	10	HEXAGONAL SCREW M8*20 DIN 933 ZN
21	72319	4	HEXAGONAL NUT M8 DIN 934
22	72320	8	HEXAGONAL NUT M8 DIN 985 NYLOC
23	71685	8	WASHER M8 R9 DIN 440 ZN
24	64188	2	KNURLED-HEAD SCREW (NUT) R5026M8S
25	63828	1	BATTERY NOACK 12YB14-A2 51412

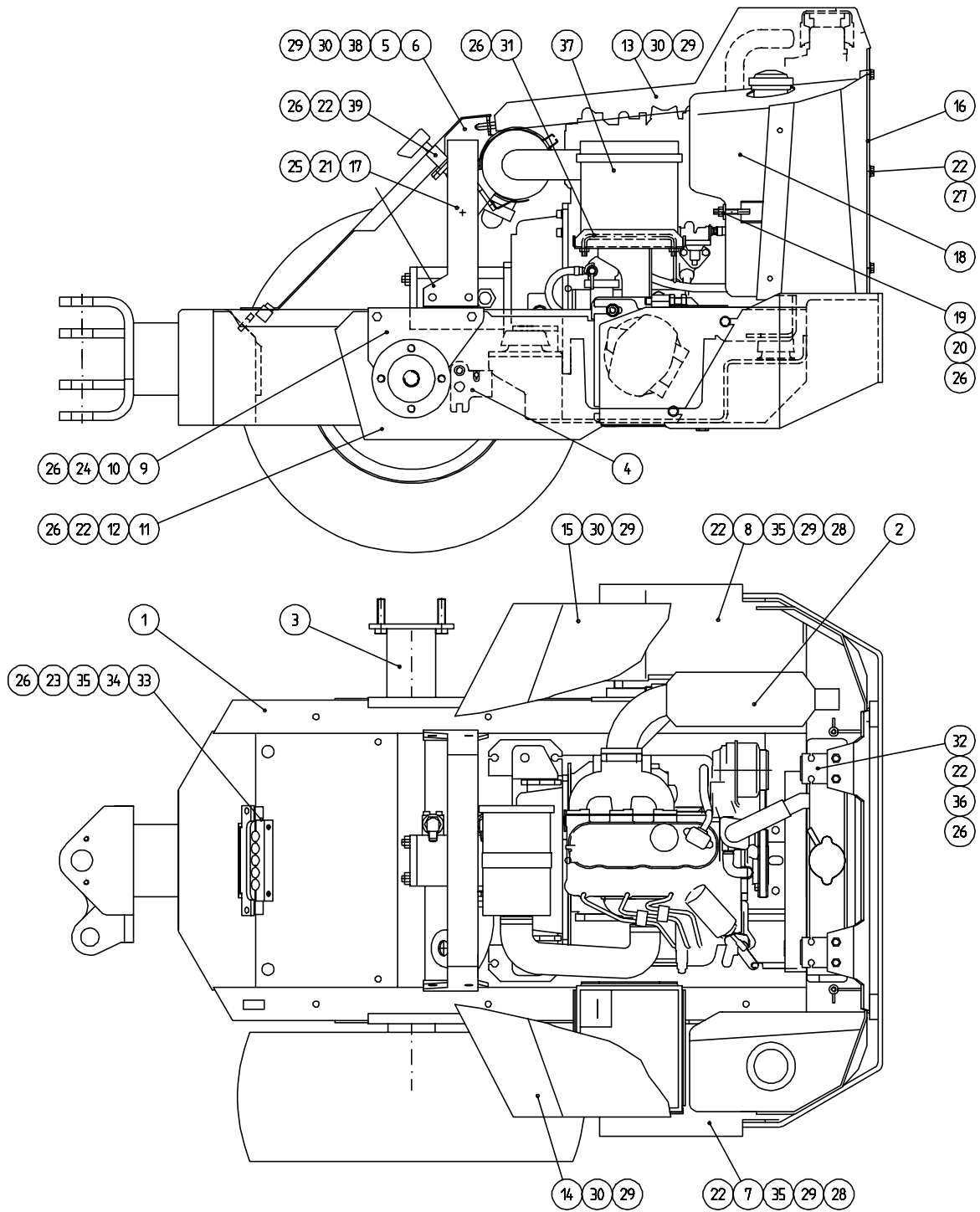
**CHASSIS, REAR, ASSEMBLY,  
MULTI 14D / KUBOTA Z482  
A2741**



**CHASSIS, REAR, ASSEMBLY, KUBOTA Z482****A2741**

1	A2728	1	CHASSIS, REAR, ASSEMBLY, Z482/D722
2	A2746	1	ENGINE, ASSEMBLY, MULTI/KUBOTA Z482
3	A31411	1	TRANSMISSION, DRIVE, ASSEMBLY
4	A31440	1	PARKING BRAKE, ASSEMBLY
5	A42857	1	COVER PLATE (BONNET), LEFT, ASSEMBLY
6	A42858	1	COVER PLATE (BONNET), RIGHT, ASSEMBLY
7	A42814	1	COVER, HYDRAULIC MOTOR, LEFT
8	A42815	1	COVER, HYDRAULIC MOTOR, RIGHT
9	A42674	1	GAP COVER, LEFT
10	A42846	1	GAP COVER, RIGHT
11	A42847	1	CHAIN COVER, REAR, LEFT, ASSEMBLY
12	A42848	1	CHAIN COVER, REAR, RIGHT, ASSEMBLY
13	A43421	1	COVER PLATE, CENTER, ASSEMBLY
14	A43419	1	COVER PLATE, SIDE, LEFT, ASSEMBLY
15	A43420	1	COVER PLATE, SIDE, RIGHT, ASSEMBLY
16	A43407	1	NET, ASSEMBLY
17	A43414	1	FASTENING CLAMP
18	A31456	1	FUEL TANK, 12 L
19	A43431	1	SUPPORT
20	A43432	1	SCREW ROD
21	72151	4	HEXAGONAL SCREW M10*30 DIN 933 ZN
22	72130	16	HEXAGONAL SCREW M8*20 DIN 933 ZN
23	72133	2	HEXAGONAL SCREW M8*30 DIN 933
24	72141	4	HEXAGONAL SCREW M8*70 DIN 931
25	72322	4	HEXAGONAL NUT M10 DIN 985 NYLOC
26	72320	14	HEXAGONAL NUT M8 DIN 985 NYLOC
27	73354	6	WASHER M8 DIN 126 ZN
28	72321	4	HEXAGONAL NUT M10 DIN 934
29	71685	10	WASHER M8 R9 DIN 440 ZN
30		8	
31	A43410	1	CLAMP
32	A43210	2	EAR, UPPER, RADIATOR
33	A42796	1	HOSE CLAMP, UPPER, ASSY
34	A42794	1	HOSE CLAMP, LOWER
35	72135	6	HEXAGONAL SCREW M8*40 DIN 931
36		4	
37	64199	1	BATTERY 12V 48AH BLUE DYNAMIC
38		4	
39	64141	1	BATTERY DISCONNECT SWITCH C-180216

**CHASSIS, REAR, ASSEMBLY,  
MULTI 20D / KUBOTA D722  
A2751**

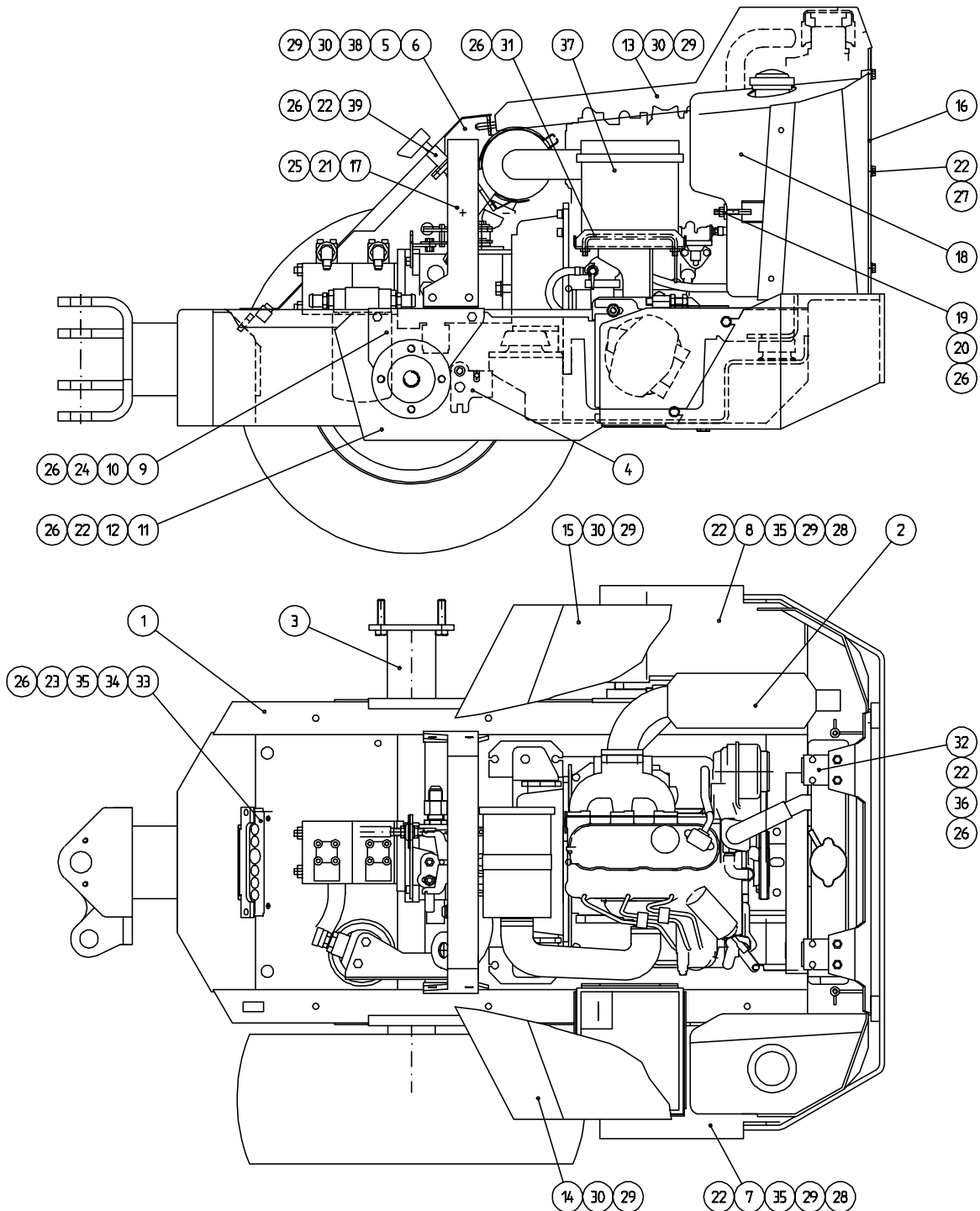




**CHASSIS, REAR, ASSEMBLY, KUBOTA D722****A2751**

1	A2728	1	CHASSIS, REAR, ASSEMBLY, Z482/D722
2	A2745	1	ENGINE, ASSEMBLY, MULTI/KUBOTA D722
3	A31411	1	TRANSMISSION, DRIVE, ASSEMBLY
4	A31440	1	PARKING BRAKE, ASSEMBLY
5	A43417	1	COVER PLATE (BONNET), LEFT, ASSEMBLY
6	A43418	1	COVER PLATE (BONNET), RIGHT, ASSEMBLY
7	A42814	1	COVER, HYDRAULIC MOTOR, LEFT
8	A42815	1	COVER, HYDRAULIC MOTOR, RIGHT
9	A42674	1	GAP COVER, LEFT
10	A42846	1	GAP COVER, RIGHT
11	A42847	1	CHAIN COVER, REAR, LEFT, ASSEMBLY
12	A42848	1	CHAIN COVER, REAR, RIGHT, ASSEMBLY
13	A43421	1	COVER PLATE, CENTER, ASSEMBLY
14	A43419	1	COVER PLATE, SIDE, LEFT, ASSEMBLY
15	A43420	1	COVER PLATE, SIDE, RIGHT, ASSEMBLY
16	A43407	1	NET, ASSEMBLY
17	A43414	1	FASTENING CLAMP
18	A31456	1	FUEL TANK, 12 L
19	A43431	1	SUPPORT
20	A43432	1	SCREW ROD
21	72151	4	HEXAGONAL SCREW M10*30 DIN 933 ZN
22	72130	16	HEXAGONAL SCREW M8*20 DIN 933 ZN
23	72133	2	HEXAGONAL SCREW M8*30 DIN 933
24	72141	4	HEXAGONAL SCREW M8*70 DIN 931
25	72322	4	HEXAGONAL NUT M10 DIN 985 NYLOC
26	72320	14	HEXAGONAL NUT M8 DIN 985 NYLOC
27	73354	6	WASHER M8 DIN 126 ZN
28	72321	4	HEXAGONAL NUT M10 DIN 934
29	71685	10	WASHER M8 R9 DIN 440 ZN
30		8	
31	A43410	1	CLAMP
32	A43210	2	EAR, UPPER, RADIATOR
33	A42796	1	HOSE CLAMP, UPPER, ASSY
34	A42794	1	HOSE CLAMP, LOWER
35	72135	6	HEXAGONAL SCREW M8*40 DIN 931
36		4	
37	64199	1	BATTERY 12V 48AH BLUE DYNAMIC
38		4	
39	64141	1	BATTERY DISCONNECT SWITCH C-180216

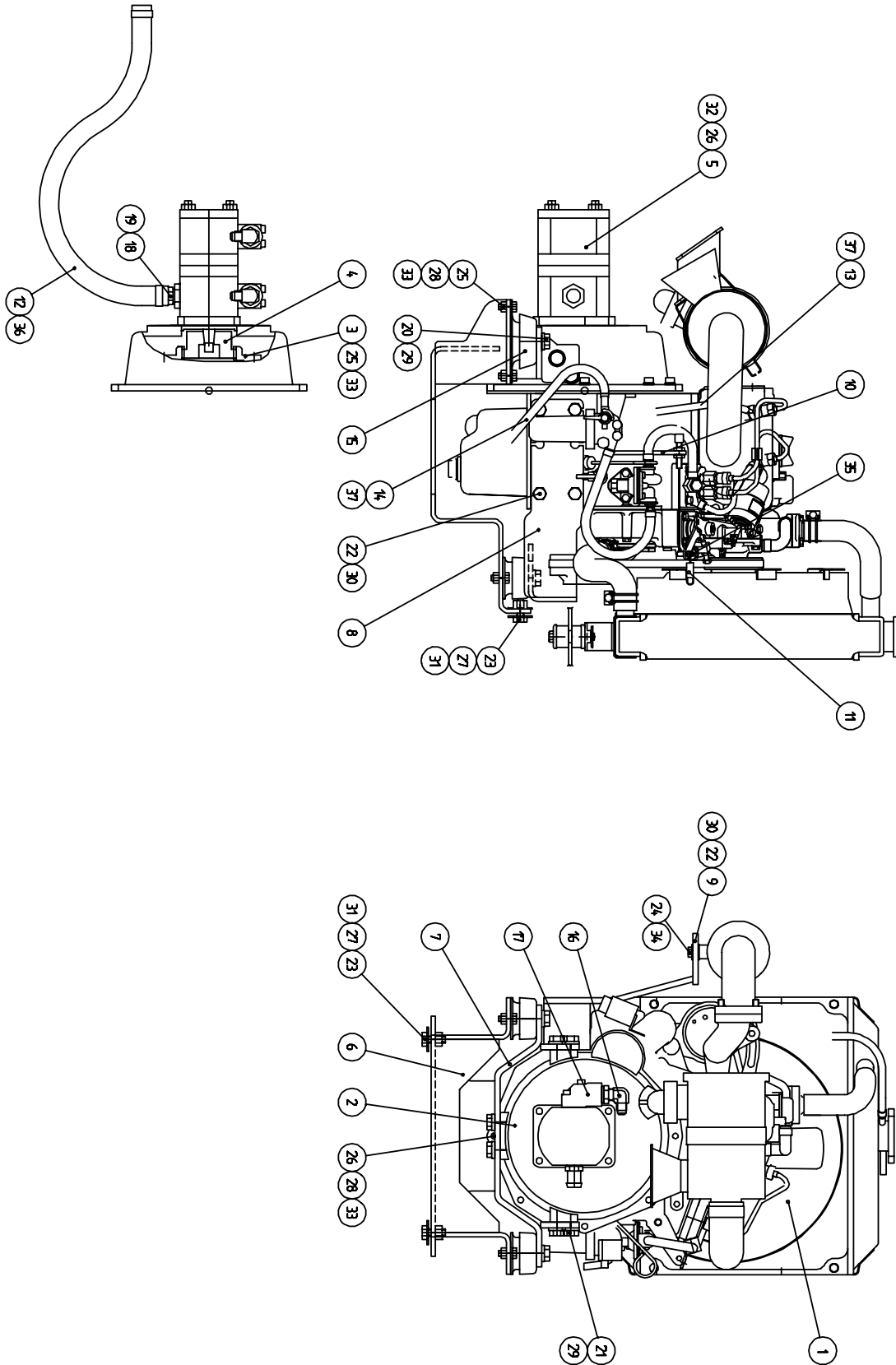
**CHASSIS, REAR, ASSEMBLY,  
MULTIPLUS / KUBOTA D722  
A2729**



**CHASSIS, REAR, ASSEMBLY, MULTIPLUS KUBOTA D722  
A2729**

1	A2728	1	CHASSIS, REAR, ASSEMBLY, Z482/D722
2	A2744	1	ENGINE, ASSEMBLY, MULTIPLUS
3	A31451	1	TRANSMISSION, DRIVE, ASSEMBLY, MULTIPLUS
4	A31440	1	PARKING BRAKE, ASSEMBLY
5	A43417	1	COVER PLATE (BONNET), LEFT, ASSEMBLY
6	A43418	1	COVER PLATE (BONNET), RIGHT, ASSEMBLY
7	A42814	1	COVER, HYDRAULIC MOTOR, LEFT
8	A42815	1	COVER, HYDRAULIC MOTOR, RIGHT
9	A42674	1	GAP COVER, LEFT
10	A42846	1	GAP COVER, RIGHT
11	A42847	1	CHAIN COVER, REAR, LEFT, ASSEMBLY
12	A42848	1	CHAIN COVER, REAR, RIGHT, ASSEMBLY
13	A43421	1	COVER PLATE, CENTER, ASSEMBLY
14	A43419	1	COVER PLATE, SIDE, LEFT, ASSEMBLY
15	A43420	1	COVER PLATE, SIDE, RIGHT, ASSEMBLY
16	A43407	1	NET, ASSEMBLY
17	A43414	1	FASTENING CLAMP
18	A31456	1	FUEL TANK, 12 L
19	A43431	1	SUPPORT
20	A43432	1	SCREW ROD
21	72151	4	HEXAGONAL SCREW M10*30 DIN 933 ZN
22	72130	16	HEXAGONAL SCREW M8*20 DIN 933 ZN
23	72133	2	HEXAGONAL SCREW M8*30 DIN 933
24	72141	4	HEXAGONAL SCREW M8*70 DIN 931
25	72322	4	HEXAGONAL NUT M10 DIN 985 NYLOC
26	72320	14	HEXAGONAL NUT M8 DIN 985 NYLOC
27	73354	6	WASHER M8 DIN 126 ZN
28	72321	4	HEXAGONAL NUT M10 DIN 934
29	71685	6	WASHER M8 R9 DIN 440 ZN
30		8	
31	A43410	1	CLAMP
32	A43210	2	EAR, UPPER, RADIATOR
33	A43099	1	HOSE CLAMP, UPPER, MULTIPLUS
34	A43097	1	HOSE CLAMP, LOWER, MULTIPLUS
35	72135	2	HEXAGONAL SCREW M8*40 DIN 931
36		4	
37	64199	1	BATTERY 12V 48AH BLUE DYNAMIC
38		4	
39	64141	1	BATTERY DISCONNECT SWITCH C-180216

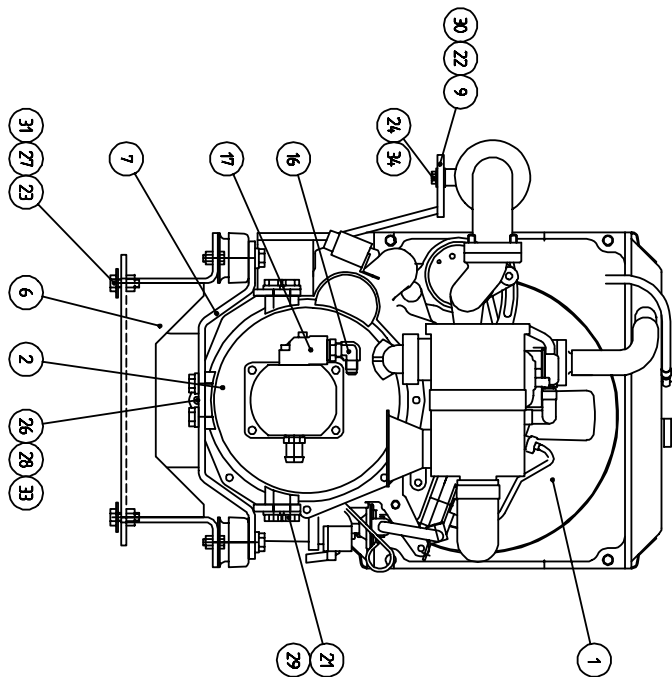
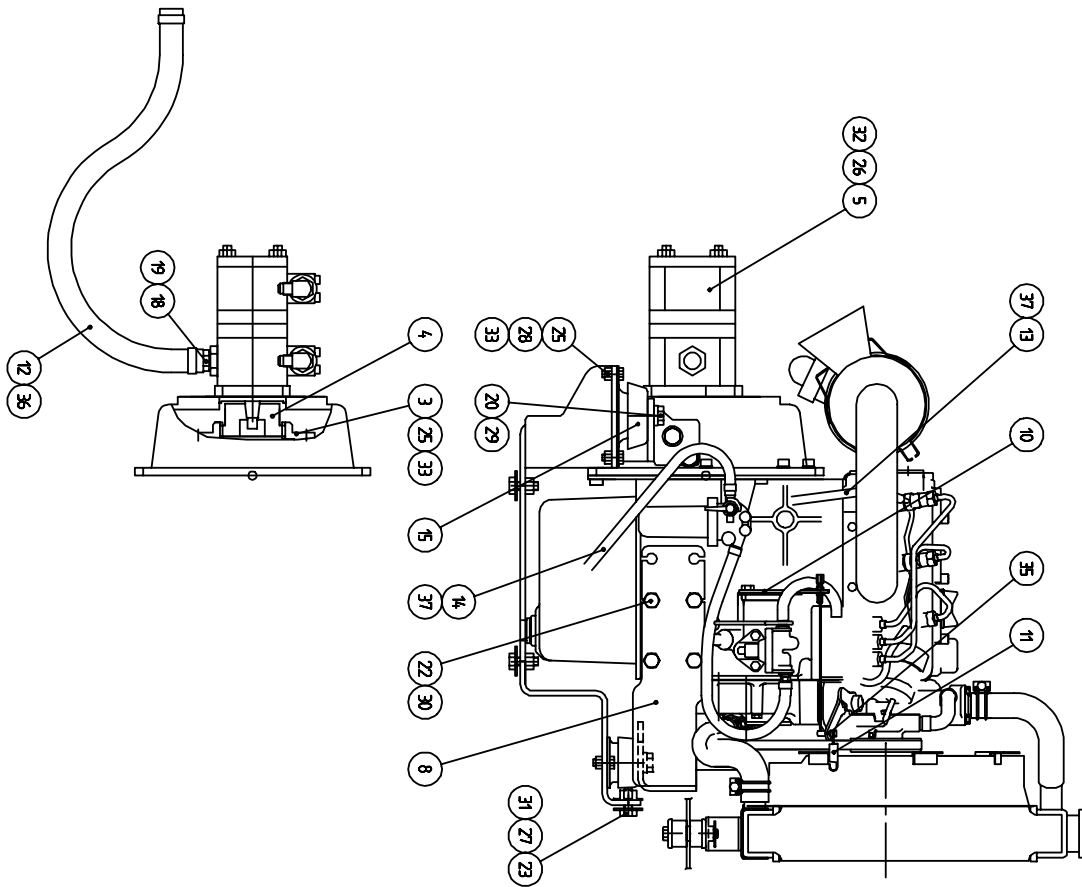
# ENGINE, ASSEMBLY, KUBOTA Z482 / MULTI 14D A2746



**ENGINE, ASSEMBLY, KUBOTA Z482****A2746**

1	64183	1	ENGINE KUBOTA Z482 14HP (12V 14A)
2	64374	1	COUPLING HOUSING, KUBOTA RECT. F80 72*100
3	64376	1	COUPLING BOWEX 48FLE-PAF150
4	64378	1	COUPLING 48FLE 1:5 F17 TAPER
5	64153	1	GEAR PUMP PLP10.6,3-86E1/10.4D
6	A43529	1	ENGINE CRADLE, Z482 / MULTI
7	A43522	1	ENGINE LIFTING FIXTURE, REAR
8	A43523	1	ENGINE LIFTING FIXTURE, FRONT
9	A43525	1	SUPPORT, EXHAUST PIPE Z482/D722
10	A42156	1	EAR, THROTTLE WIRE
11	A43527	1	RETRACTING SPRING, FOOT THROTTLE, L=45
12	A43030	2	INLET HOSE $\varnothing$ C20 L=800
13	A43032	1	FUEL HOSE, RETURN, L=400
14	A43031	1	FUEL HOSE, INLET, L=400
15	63656	3	VIBRATION DAMPER 17-1600-1MN55
16	64044	2	ELBOW FITTING 90° C40XS10-3/8
17	73747	2	PRESSURE FLANGE 1 GQ 38 (R3/8" AL)
18	64110	2	HOSE COUPLING R1/2"UK - 19 MM L=44
19	64172	1	REDUCER FITTING RI 3/4"-EDX 1/2"
20	73042	3	HEXAGONAL SCREW M12*35 DIN 933 ZN
21	72165	6	HEXAGONAL SCREW M12*20 DIN 933 ZN
22	73936	8	HEXAGONAL SCREW M10*1,25 -25 DIN 933
23	72150	6	HEXAGONAL SCREW M10*25 DIN 933 ZN
24	72132	1	HEXAGONAL SCREW M8*25 DIN 933 ZN
25	72130	11	HEXAGONAL SCREW M8*20 DIN 933 ZN
26	73100	10	HEXAGONAL HEAD SCREW M8*30 DIN 912
27	72322	6	HEXAGONAL NUT M10 DIN 985 NYLOC
28	72320	8	HEXAGONAL NUT M8 DIN 985 NYLOC
29	73613	9	SPRING WASHER M12 A12 DIN 127
30	73612	8	SPRING WASHER M10 A10 DIN 127
31	73018	6	WASHER M10 R11 DIN 440 ZN
32	71683	4	WASHER M8 A8,4 DIN 6798
33	73962	11	SPRING WASHER M8 A8 DIN 127
34	71685	2	WASHER M8 R9 DIN 440 ZN
35	74415	1	SCREW FITTING 128.244 S&N
36	73530	2	HOSE CLAMP, ABA 22-32 MM ZN
37	74405	4	HOSE CLAMP, MINABA-13

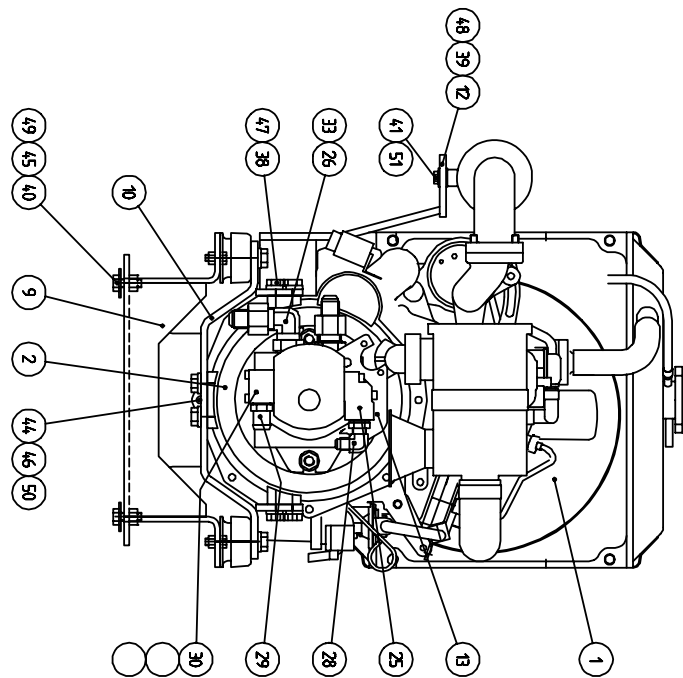
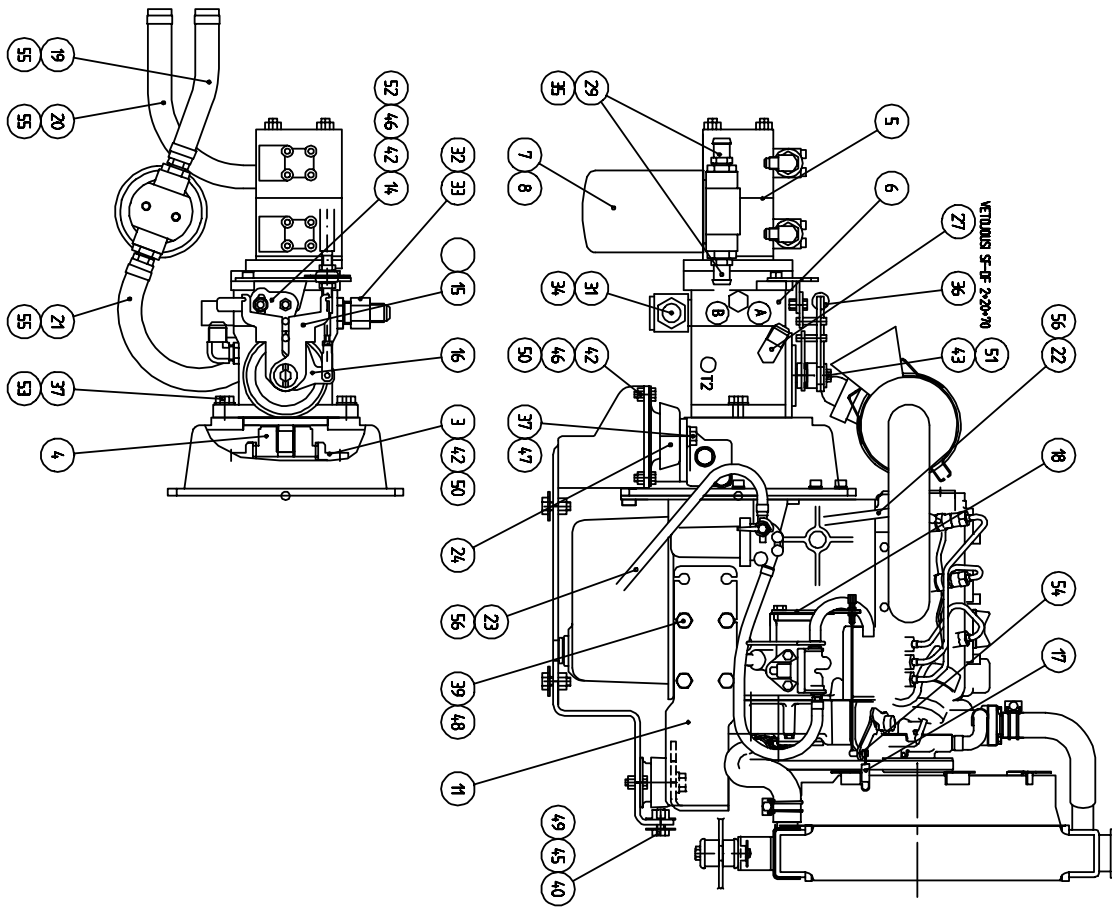
# ENGINE, ASSEMBLY, KUBOTA D722 / MULTI 20D A2745



**ENGINE, ASSEMBLY, KUBOTA D722 STD  
A2745**

1	64182	1	ENGINE KUBOTA D722 20HP (12V 40A)
2	64374	1	COUPLING HOUSING, KUBOTA RECT. F80 72*100
3	64376	1	COUPLING BOWEX 48FLE-PAF150
4	64378	1	COUPLING 48FLE 1:5 F17 TAPER
5	64093	1	GEAR PUMP PLP10.6,3-86E1/10.6,3D
6	A43524	1	ENGINE CRADLE, D722 / MULTI
7	A43522	1	ENGINE LIFTING FIXTURE, REAR
8	A43523	1	ENGINE LIFTING FIXTURE, FRONT
9	A43525	1	SUPPORT, EXHAUST PIPE Z482/D722
10	A42156	1	EAR, THROTTLE WIRE
11	A43527	1	RETRACTING SPRING, FOOT THROTTLE, L=45
12	A43030	2	INLET HOSE $\varnothing$ C20 L=800
13	A43032	1	FUEL HOSE, RETURN, L=400
14	A43031	1	FUEL HOSE, INLET, L=400
15	63656	3	VIBRATION DAMPER 17-1600-1MN55
16	64044	2	ELBOW FITTING 90° C40XS10-3/8
17	73747	2	PRESSURE FLANGE 1 GQ 38 (R3/8" AL)
18	64110	2	HOSE COUPLING R1/2"UK - 19 MM L=44
19	64172	1	REDUCER FITTING RI 3/4"-EDX 1/2"
20	73042	3	HEXAGONAL SCREW M12*35 DIN 933 ZN
21	72165	6	HEXAGONAL SCREW M12*20 DIN 933 ZN
22	73936	8	HEXAGONAL SCREW M10*1,25 -25 DIN 933
23	72150	6	HEXAGONAL SCREW M10*25 DIN 933 ZN
24	72132	1	HEXAGONAL SCREW M8*25 DIN 933 ZN
25	72130	11	HEXAGONAL SCREW M8*20 DIN 933 ZN
26	73100	10	HEXAGONAL HEAD SCREW M8*30 DIN 912
27	72322	6	HEXAGONAL NUT M10 DIN 985 NYLOC
28	72320	8	HEXAGONAL NUT M8 DIN 985 NYLOC
29	73613	9	SPRING WASHER M12 A12 DIN 127
30	73612	8	SPRING WASHER M10 A10 DIN 127
31	73018	6	WASHER M10 R11 DIN 440 ZN
32	71683	4	WASHER M8 A8,4 DIN 6798
33	73962	11	SPRING WASHER M8 A8 DIN 127
34	71685	2	WASHER M8 R9 DIN 440 ZN
35	74415	1	SCREW FITTING 128.244 S&N
36	73530	2	HOSE CLAMP, ABA 22-32 MM ZN
37	74405	4	HOSE CLAMP, MINI ABA-13

# ENGINE, ASSEMBLY, KUBOTA D722 / MULTIPLUS A2744



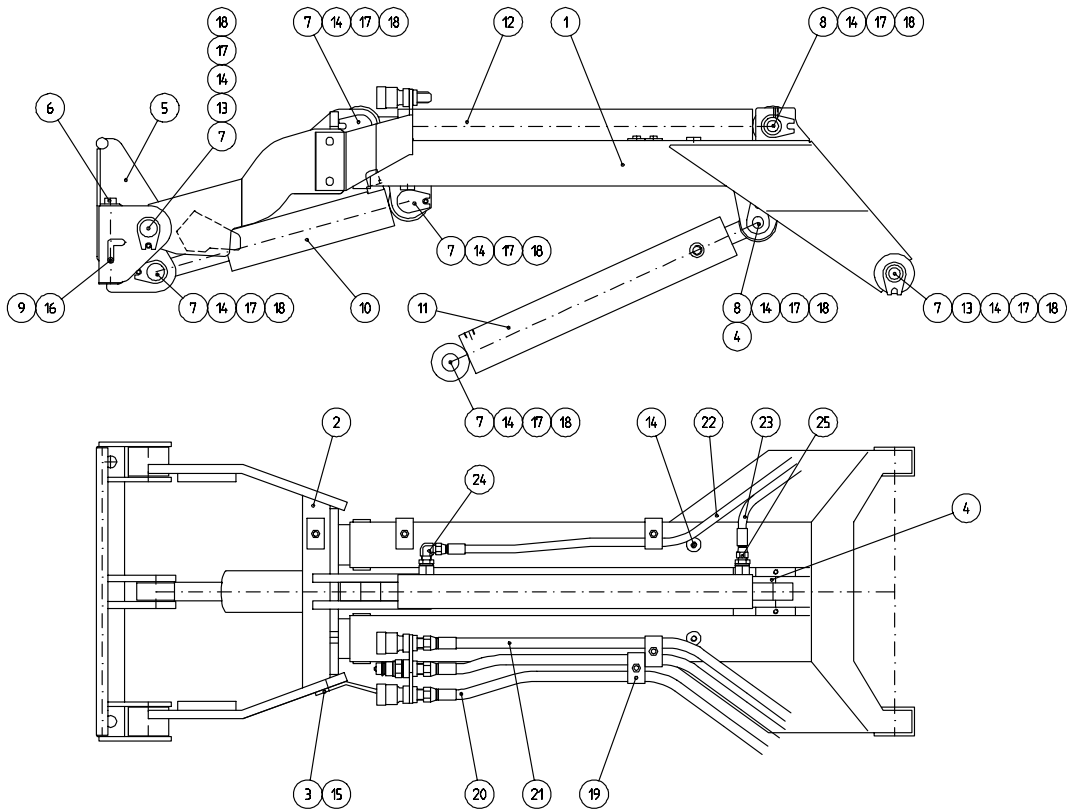


**ENGINE, ASSEMBLY, MULTIPLUS KUBOTA D722  
A2744**

1	64182	1	ENGINE KUBOTA D722 20HP (12V 40A)
2	64375	1	COUPLING HOUSING KUBOTA SAE B FLANGE
3	64376	1	COUPLING BOWEX 48FLE-PA-F150
4	64377	1	COUPLING BOWEX 48FLE SAE 7/8"
5	64181	1	HYDRAULIC PUMP SIGMA
6	64180	1	VARIABLE DISPLACEMENT PUMP REXROTH
7	64175	1	SUCTION FILTER, COMPL. HYDAC MFP 80 GG10A
8	64283	1	FILTER ELEMENT HYDAC P/N 0080MA010 P
9	A43524	1	ENGINE CRADLE
10	A43522	1	ENGINE LIFTING FIXTURE, REAR
11	A43523	1	ENGINE LIFTING FIXTURE, FRONT
12	A43525	1	SUPPORT, EXHAUST PIPE Z482/D722
13	A43113	1	EAR, THROTTLE WIRE
14	A43430	1	ADJUSTING LEVER, ASSEMBLY
15	A43107	2	CENTERING LEVER
16	A43112	1	ACTUATING LEVER, ASSEMBLY
17	A43527	1	RETRACTING SPRING, THROTTLE, L=45
18	A42156	1	EAR, THROTTLE WIRE
19	A43075	1	INLET HOSE $\varnothing$ C20 L=700
20	A43030	1	INLET HOSE $\varnothing$ C20 L=800
21	A41667	2	INLET HOSE 3/4" - 330
22	A43032	1	FUEL HOSE, RETURN, L=400
23	A43031	1	FUEL HOSE, INLET, L=400
24	63656	3	VIBRATION DAMPER 17-1600-1MN55
25	64193	2	PRESSURE FLANGE 1GB38 (R3/8"-F35 AL)
26	64168	1	ELBOW FITTING 90° C870XS18M27
27	64169	1	ELBOW FITTING 90° C870XS14M18
28	64044	2	ELBOW FITTING 90° C40XS10-3/8
29			
30			
31	A43056	1	HOSE COUPLING
32	64173	1	BASIC FITTING F870XS18M27
33	64171	2	REDUCER TRTXS18-14
34	64191	1	BANJO FITTING DSVW 22-PLM
35	64172	2	REDUCER FITTING RI 3/4"-EDx 1/2"
36	64290	1	CENTERING SPRING, PUMP, SF-DF 2*20*70
37	73042	5	HEXAGONAL SCREW M12*35 DIN 933 ZN
38	72165	6	HEXAGONAL SCREW M12*20 DIN 933 ZN
39	73936	8	HEXAGONAL SCREW M10*1,25 -25 DIN 933
40	72150	6	HEXAGONAL SCREW M10*25 DIN 933 ZN
41	72132	1	HEXAGONAL SCREW M8*25 DIN 933 ZN
42	72130	12	HEXAGONAL SCREW M8*20 DIN 933 ZN
43	72128	1	HEXAGONAL SCREW M8*12 DIN 933 ZN

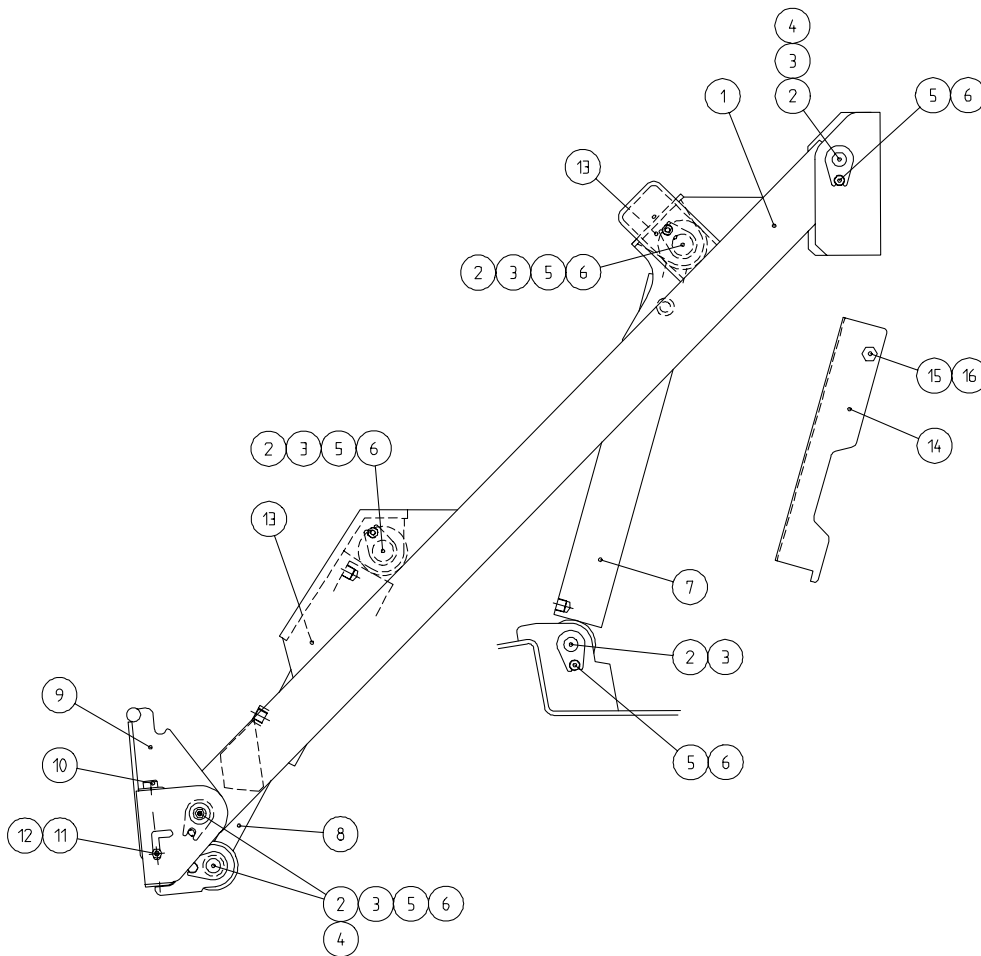
44	73100	6	HEXAGONAL HEAD SCREW M8*30 DIN 912
45	72322	6	HEXAGONAL NUT M10 DIN 985 NYLOC
46	72320	10	HEXAGONAL NUT M8 DIN 985 NYLOC
47	73613	9	WASHER M12 A12 DIN 127 ZN
48	73612	8	WASHER M10 A10 DIN 127 ZN
49	73018	6	WASHER M10 R11 DIN 440 ZN
50	73962	14	WASHER M8 A8 DIN 127 ZN
51	71685	3	WASHER M8 R9 DIN 440 ZN
52	73354	4	WASHER M8 9 DIN 126 ZN
53	71691	2	WASHER M12 A13 DIN 125
54	74415	1	SCREW FITTING 128.244 S&N
55	73530	6	HOSE CLAMP, 22-32 MM ZN
56	74405	4	HOSE CLAMP, MINI ABA-13

## TELESCOPIC LOADER BOOM A2628



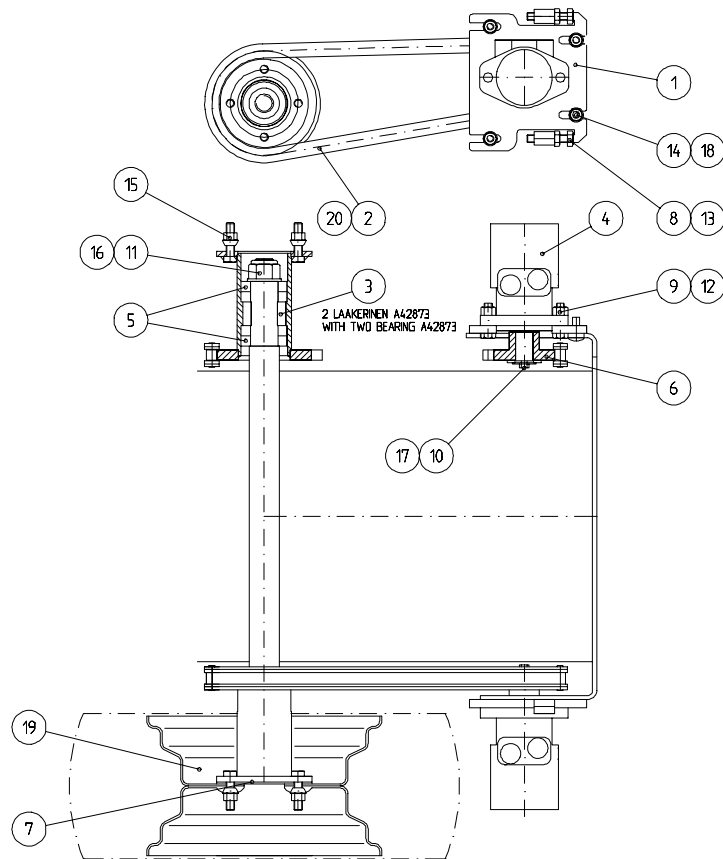
1	A31448	1	OUTER BOOM
2	A31449	1	INNER BOOM
3	A42671	1	EAR
4	A43083	4	BUSHING
5	A2389	1	ATTACHMENT COUPLING PLATE, WELDING ASSY
6	A41820	2	QUICK COUPLING PIN F20
7	A41615	8	PIVOT PIN
8	A43085	2	PIN L=86
9	64061	2	PRESSURE SPRING SS2387 2,5*25*118
10	A43672	1	HYDRAULIC CYLINDER F63/F32-150 LMIN=380
11	A43673	1	HYDRAULIC CYLINDER F63/F32-360 LMIN=590
12	A43086	1	TELESCOPING CYLINDER F50/F30-500
13	64048	4	SLIDE BEARING GSM-3034-40
14	72798	14	FITTING R 1/8" STRAIGHT
15	73040	2	HEXAGONAL SCREW M10*20 DIN 933 ZN
16	74413	2	HEXAGONAL HEAD SCREW M8*80 DIN 912 ZN
17	73039	10	HEXAGONAL SCREW M8*16 DIN 933 ZN
18	63944	10	WASHER, PAIR, NORD-LOCK M8
19	73760	4	PIPE CLAMP RSB DS 214/14 D
20	A42927	2	HYDRAULIC HOSE L=3450 R2AT06
21	A42926	1	HYDRAULIC HOSE L=3400 R1AT-06
23	A42929	1	HYDRAULIC HOSE L=900 R1AT-04
24	64044	1	ELBOW FITTING 90° C40XS10-3/8"
25	64041	1	BASIC FITTING F40XS10-3/8"

## LOADER BOOM A2487



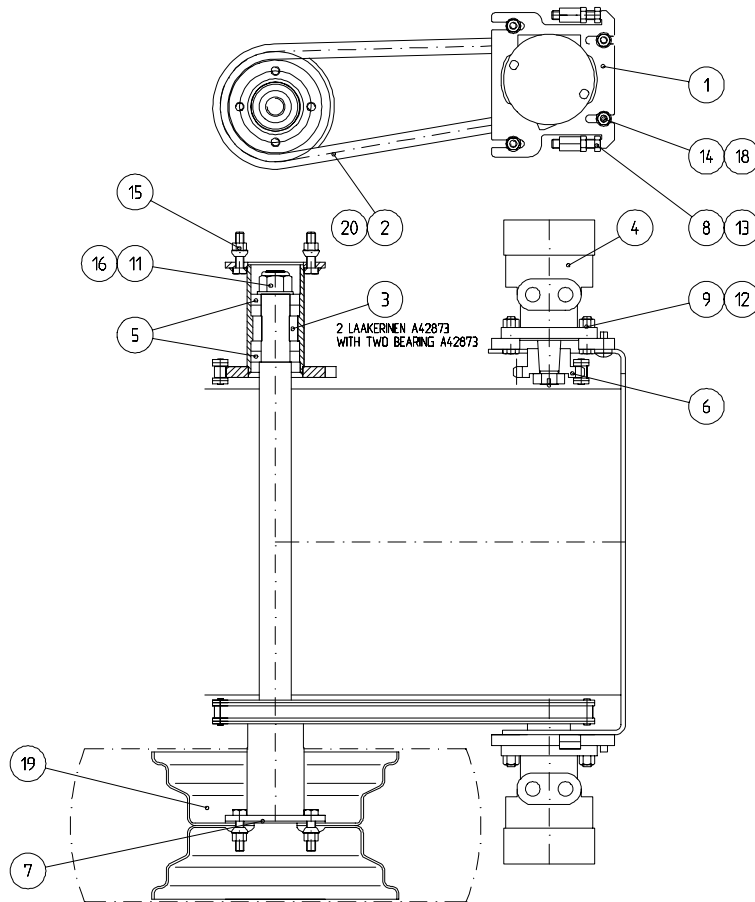
1	A2388	1	LOADER BOOM
2	A41615	8	PIVOT PIN
3	72798	8	FITTING R 1/8" STRAIGHT
4	64048	4	SLIDE BEARING GSM-3034-40
5	73039	8	HEXAGONAL SCREW M8*16 DIN 933 ZN
6	73962	8	SPRING WASHER M8 DIN 127
7	A3956	1	HYDRAULIC CYLINDER F63/F30-360 LMIN=590
8	A3957	1	HYDRAULIC CYLINDER F63/F30-150 LMIN=380
9	A2389	1	ATTACHMENT COUPLING PLATE, WELDING ASSY
10	A41820	2	QUICK COUPLING PIN F20
11	74413	2	HEXAGONAL HEAD SCREW M8*80 DIN 912 ZN
12	64061	2	PRESSURE SPRING SS2387 2,5*25*118
13	73760	2	PIPE CLAMP RSB DS 214/14 D
14	A3940	1	SERVICE SUPPORT, BOOM
15	72174	1	HEXAGONAL SCREW M12*60 DIN 931
16	72323	1	HEXAGONAL NUT M12 DIN 934

## TRANSMISSION, DRIVE, MULTI A31411



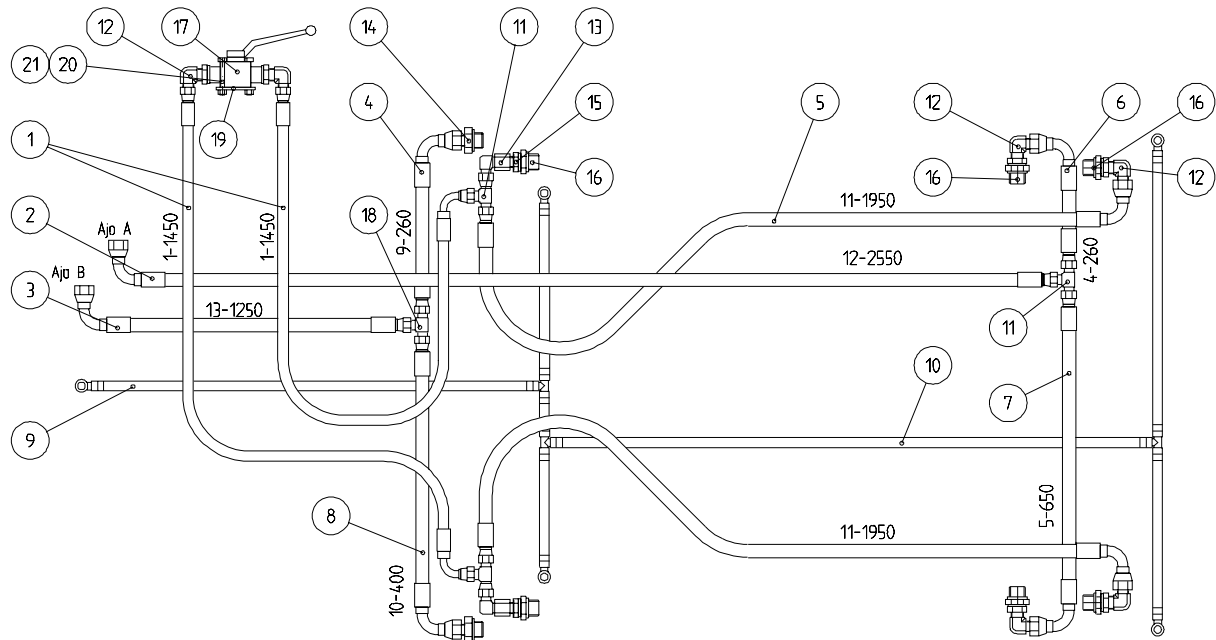
1	A42850	2	CARRIER
2	A42964	2	TRANSMISSION CHAIN Z=45
3	A43094	2	WHEEL HUB, ASSEMBLY, 4 BEARINGS
4	64094	2	HYDRAULIC MOTOR SAM AR160 NC 25
5	64038	4	BALL BEARING 6008 2RS
6	A41631	2	CHAIN WHEEL, PRIMARY 1", Z=11
7	A42897	2	COVER PLATE, WHEEL HUB
8	73389	4	HEXAGONAL SCREW M12*60 DIN 933 ZN
9	72171	4	HEXAGONAL SCREW M12*45 DIN 931
10	73039	2	HEXAGONAL SCREW M8*16 DIN 933 ZN
11	74421	2	HEXAGONAL NUT M27*2 DIN 985
12	72324	4	HEXAGONAL NUT M12 DIN 985 NYLOC
13	72323	8	HEXAGONAL NUT M12 DIN 934
14	72322	8	HEXAGONAL NUT M10 DIN 985 NYLOC
15	73743	8	WHEEL NUT M12*1,5 DIN 74361
16	71705	2	WASHER M27 DIN 125
17	A41675	2	WASHER F45*7
18	73018	8	WASHER M10 DIN 440 ZN
19	64120	4	WHEEL 23*8.50-12 TR-PROFILE
20	73606	2	CHAIN CONNECTING LINK 16B-1 1" STR.
21	73962	2	SPRING WASHER M8 DIN 127

## TRANSMISSION, DRIVE, MULTIPLUS A31451



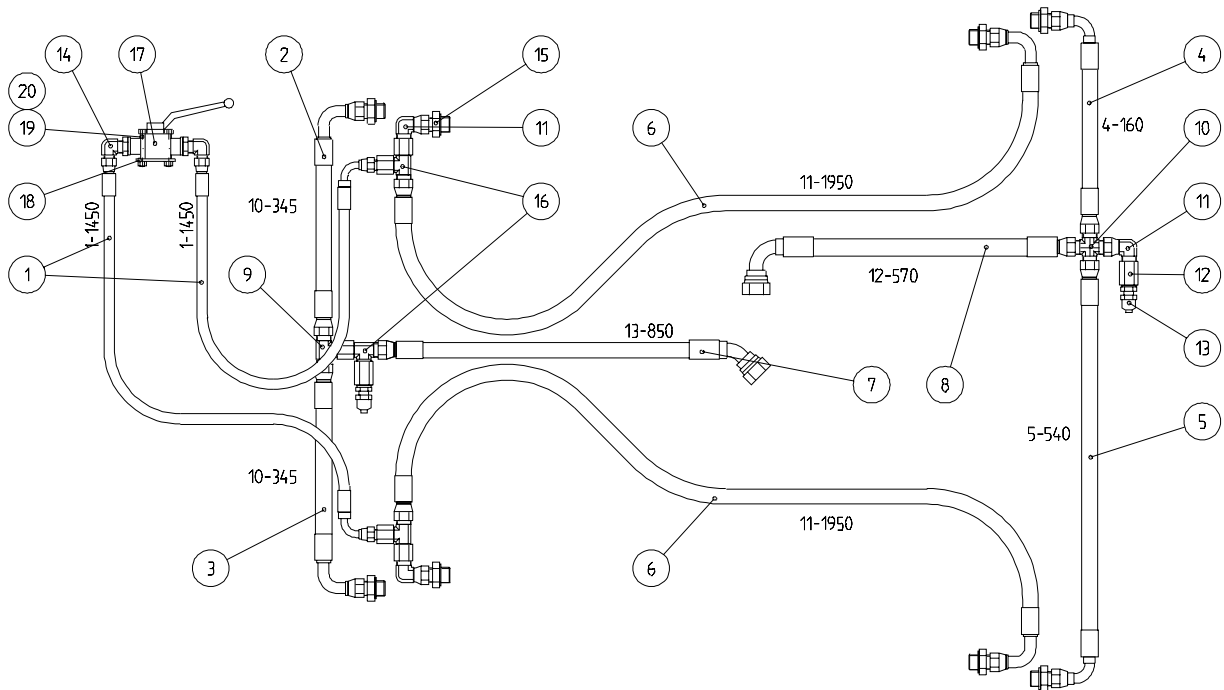
1	A43100	2	CARRIER, MULTIPLUS
2	A42964	2	TRANSMISSION CHAIN Z=45
3	A43094	2	WHEEL HUB, ASSEMBLY, 4 BEARINGS
4	64229	2	HYDRAULIC MOTOR WHITE RE-121903
5	64038	4	BALL BEARING 6008 2RS
6	A43101	2	CHAIN WHEEL, PRIMARY 1", Z=11, MULTIPLUS
7	A42897	2	COVER PLATE, WHEEL HUB
8	73389	4	HEXAGONAL SCREW M12*60 DIN 933 ZN
9	72171	4	HEXAGONAL SCREW M12*45 DIN 931
11	74421	2	HEXAGONAL NUT M27*2 DIN 985
12	72324	4	HEXAGONAL NUT M12 DIN 985 NYLOC
13	72323	8	HEXAGONAL NUT M12 DIN 934
14	72322	8	HEXAGONAL NUT M10 DIN 985 NYLOC
15	73743	8	WHEEL NUT M12*1,5 DIN 74361-
16	71705	2	WASHER M27 DIN 125
18	73018	8	WASHER M10 DIN 440 ZN
19	64120	4	WHEEL 23*8.50-12 TR-PROFILE
20	73606	2	CHAIN CONNECTING LINK 16B-1 1" STR.
21	73962	2	SPRING WASHER M8 DIN 127

## HYDRAULIC HOSES, DRIVE, A31407



1	A42907	2	HYDRAULIC HOSE L=1450 R1AT-04
2	A42917	1	HYDRAULIC HOSE L=2550 R2AT-06
3	A42922	1	HYDRAULIC HOSE L=1250 R2AT-06
4	A42914	1	HYDRAULIC HOSE L=230 R2AT-06
5	A42916	2	HYDRAULIC HOSE L=1950 R2AT-06
6	A42930	1	HYDRAULIC HOSE L=260 R2AT-06
7	A42910	1	HYDRAULIC HOSE L=650 R2AT-06
8	A42915	1	HYDRAULIC HOSE L=400 R2AT-06
9	A42874	1	LEAKAGE HOSE SET, FRONT
10	A42875	1	LEAKAGE HOSE SET, REAR
11	64078	3	L FITTING BODY R6XS10
12	64087	4	ELBOW FITTING 90° C40XS10-1/4"
13	64043	2	ELBOW FITTING 90° C6XS10
14	64040	2	BASIC FITTING F40XS10-1/2"
15	64059	2	BASIC FITTING F40XS10-1/4"
16	73566	6	REDUCER FITTING HYDR. R1/2"OT-R1/4"OT
17	64197	1	BALL VALVE 2/2 R1/4" DN6
18	64201	1	T-FITTING JTXS10
19	A42714	1	MOUNTING PLATE
20	74515	2	HEXAGONAL SCREW M6*45 DIN 933 ZN
21	72318	2	HEXAGONAL NUT M6 DIN 985 NYLOC

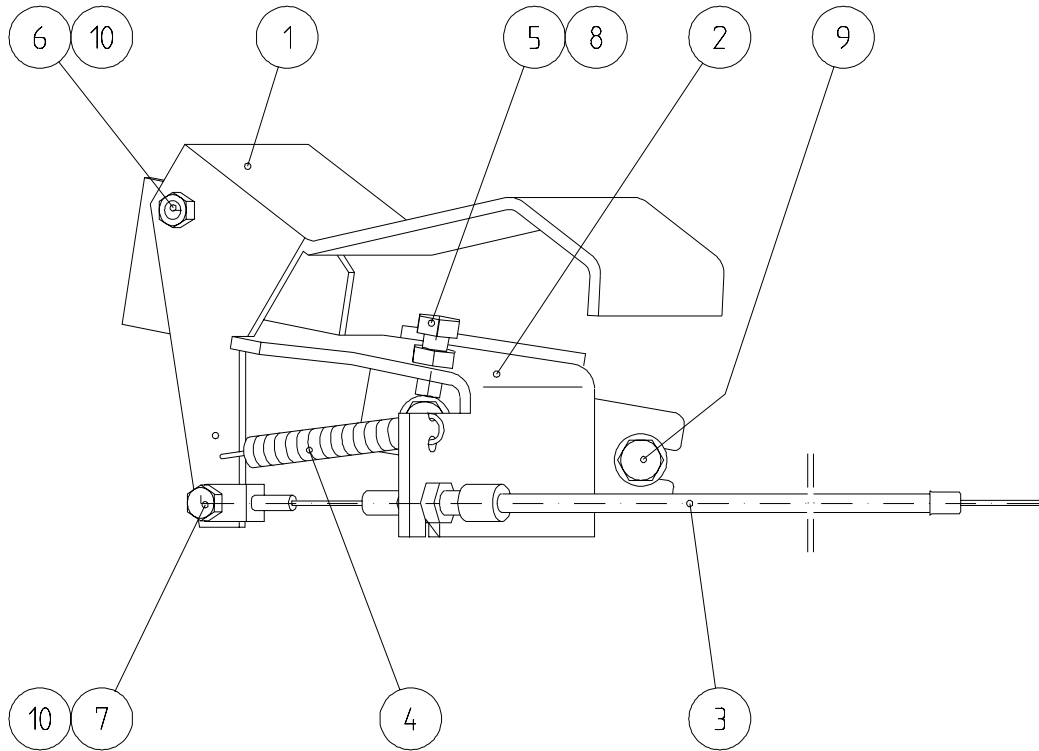
## HYDRAULIC HOSES, DRIVE, MULTIPLUS A31445



1	A42907	2	HYDRAULIC HOSE L=1450 R1AT-04
2	A43051	1	HYDRAULIC HOSE L=345 2LW-06
3	A43051	1	HYDRAULIC HOSE L=345 2LW-06
4	A43048	1	HYDRAULIC HOSE L=160 2LW-06
5	A43049	1	HYDRAULIC HOSE L=540 2LW-06
6	A43050	2	HYDRAULIC HOSE L=1950 2LW-06
7	A43054	1	HYDRAULIC HOSE L=850 3-PLY-08
8	A43052	1	HYDRAULIC HOSE L=345 3-PLY
9	64200	1	T FITTING JTXS12
10	64083	1	CROSS FITTING KTXS12
11	64134	3	ELBOW FITTING 90° C6XS12
12	64194	1	TEST FITTING TT4XS12-1/4"
13	64196	1	MANOMETER FITTING M16*2
14	64087	2	ELBOW FITTING 90° C40XS10-1/4"
15	64058	8	BASIC FITTING F40XS12-1/2"
16	64050	3	L FITTING BODY R6XS12
17	64197	1	BALL VALVE 2/2 R1/4" DN6
18	A42714	1	MOUNTING PLATE
19	74515	2	HEXAGONAL SCREW M6*45 DIN 933 ZN
20	72318	2	HEXAGONAL NUT M6 DIN 985 NYLOC

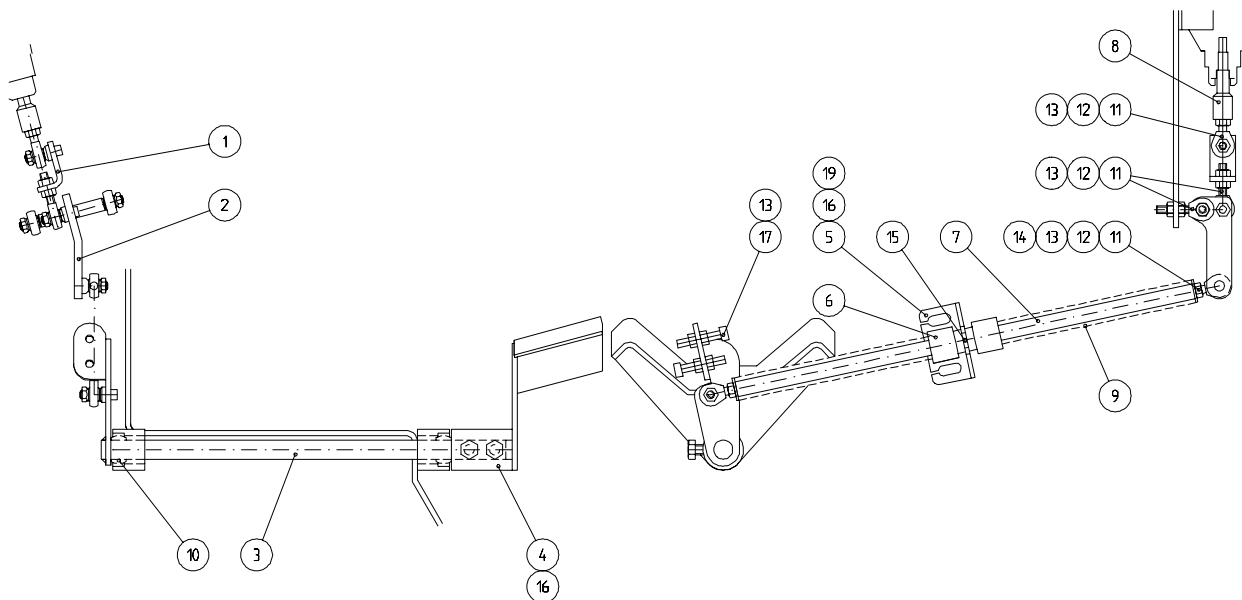


## FOOT THROTTLE A43019



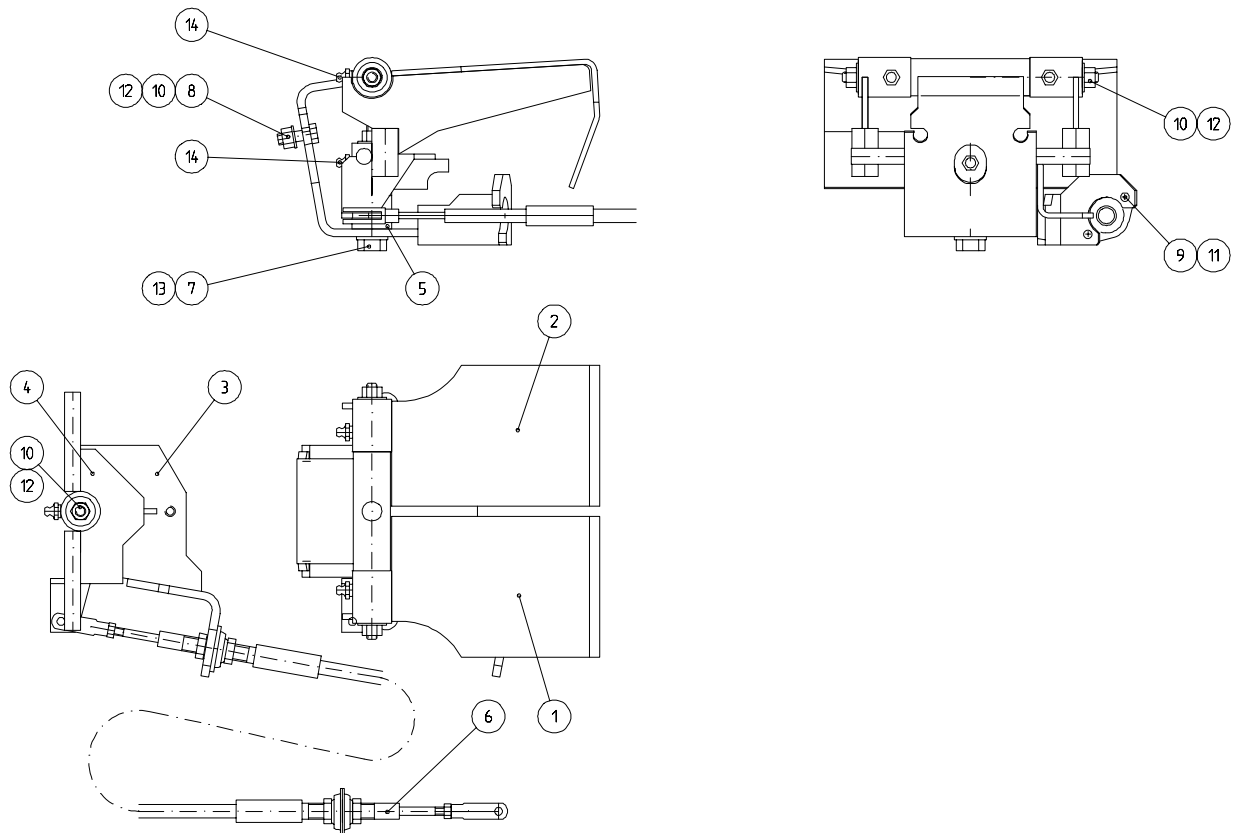
1	A42528	1	THROTTLE PEDAL
2	A42905	1	THROTTLE PEDAL SUPPORT, ASSEMBLY
3	A43022	1	THROTTLE WIRE
4	64257	1	RETAINING SPRING SF-DF 1,2*12*60
5	72130	1	HEXAGONAL SCREW M8*20 DIN 933 ZN
6	72127	1	HEXAGONAL SCREW M6*90 DIN 931
7	72118	1	HEXAGONAL SCREW M6*20 DIN 933
8	72319	1	HEXAGONAL NUT M8 DIN 934
9	72320	2	HEXAGONAL NUT M8 DIN 985 NYLOC
10	72318	2	HEXAGONAL NUT M6 DIN 985 NYLOC

## DRIVE PEDAL LEVER SYSTEM A31400



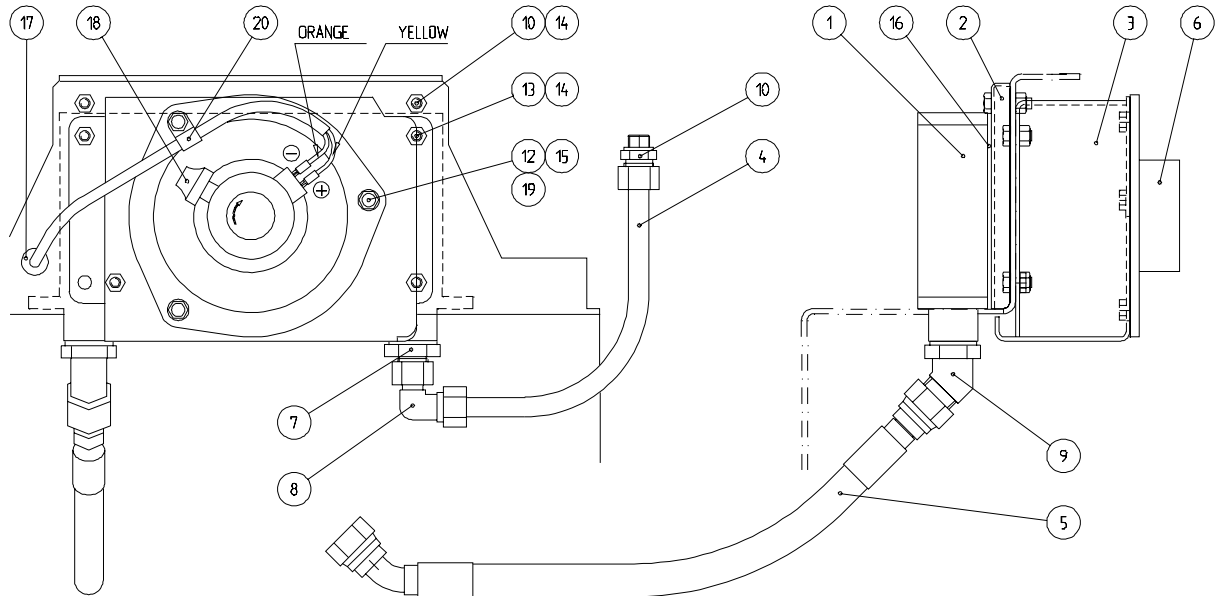
1	A42835	1	LEVER, ASSEMBLY
2	A42832	1	TORSION ROD, ASSEMBLY
3	A42836	1	DRIVE LEVER, ASSEMBLY
4	A42830	1	DRIVE PEDAL
5	A42892	1	BUFFER
6	A42823	2	ELASTIC BUSHING
7	A42825	1	CONNECTING ROD
8	A42821	1	DRIVE SHAFT, DRIVE SPOOL
9	64187	4	PRESSURE SPRING SF-TF 2*14*85
10	64186	2	ARTICULATION BEARING GE15ES
11	63690	6	JOINT ARM ASAHI JAM 6
12	A41822	6	LEVER NUT M6
13	72317	10	HEXAGONAL NUT M6 DIN 934
14	71681	2	WASHER M6 DIN 440
15	71756	1	SPRING SPLINT 3*16 DIN 1481
16	73039	4	HEXAGONAL SCREW M8*16 DIN 933 ZN
17	73199	2	HEXAGONAL SCREW M6*30 DIN 933 ZN
18	72320	2	HEXAGONAL NUT M8 DIN 985 NYLOC
19	73122	4	WASHER M8 DIN 125 ZN

## DRIVE PEDAL, MULTIPLUS A31447



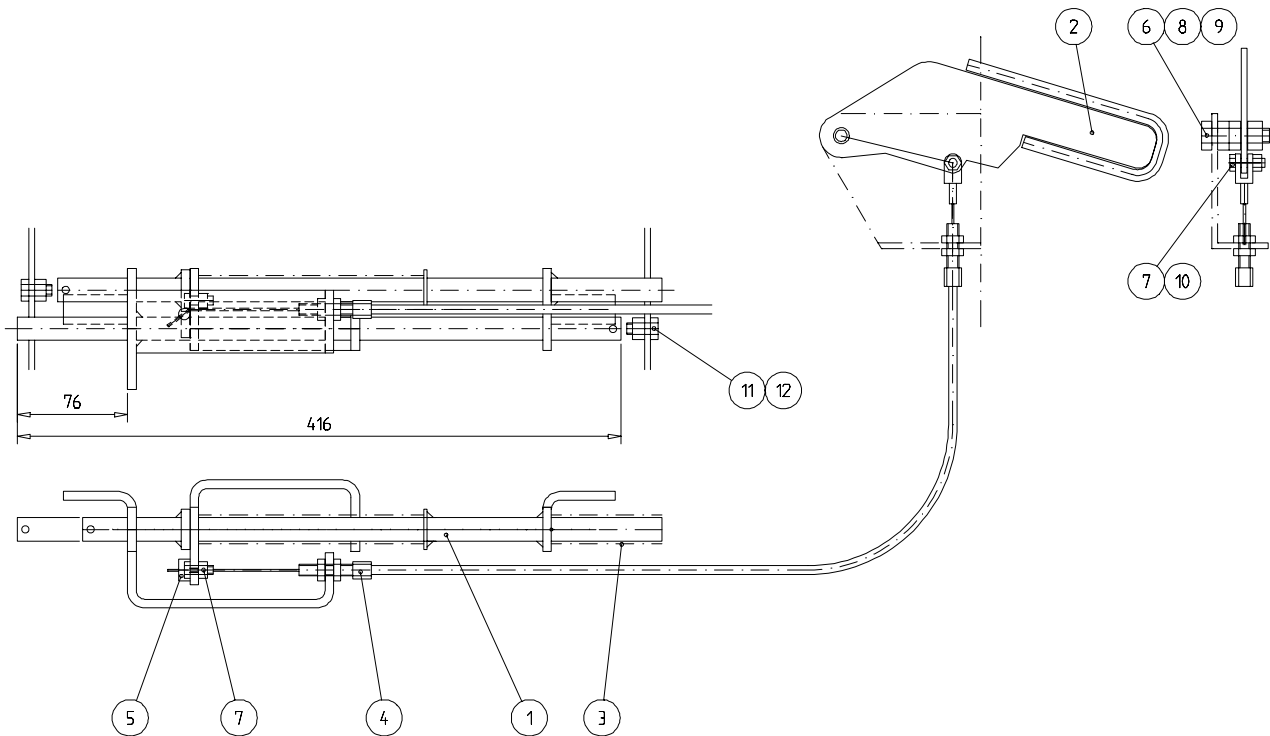
1	A43072	1	DRIVE PEDAL, LEFT
2	A43073	1	DRIVE PEDAL, RIGHT
3	A43071	1	DRIVE PEDAL FRAME
4	A43074	1	ROCKER ARM
5	A43064	1	VERTICAL PIN
6	A42973	1	DRIVE CABLE
7	72165	1	HEXAGONAL SCREW M12*20 DIN 933
8	72132	2	HEXAGONAL SCREW M8*25 DIN 933 ZN
9	72118	2	HEXAGONAL SCREW M6*20 DIN 933
10	72320	5	HEXAGONAL NUT M8 DIN 985 NYLOC
11	72318	2	HEXAGONAL NUT M6 DIN 985 NYLOC
12	71685	5	WASHER M8 R9 DIN 440 ZN
13	73613	1	WASHER M12 DIN 127
14	72798	3	FITTING R 1/8" STRAIGHT

## HYDRAULIC OIL COOLER A31401



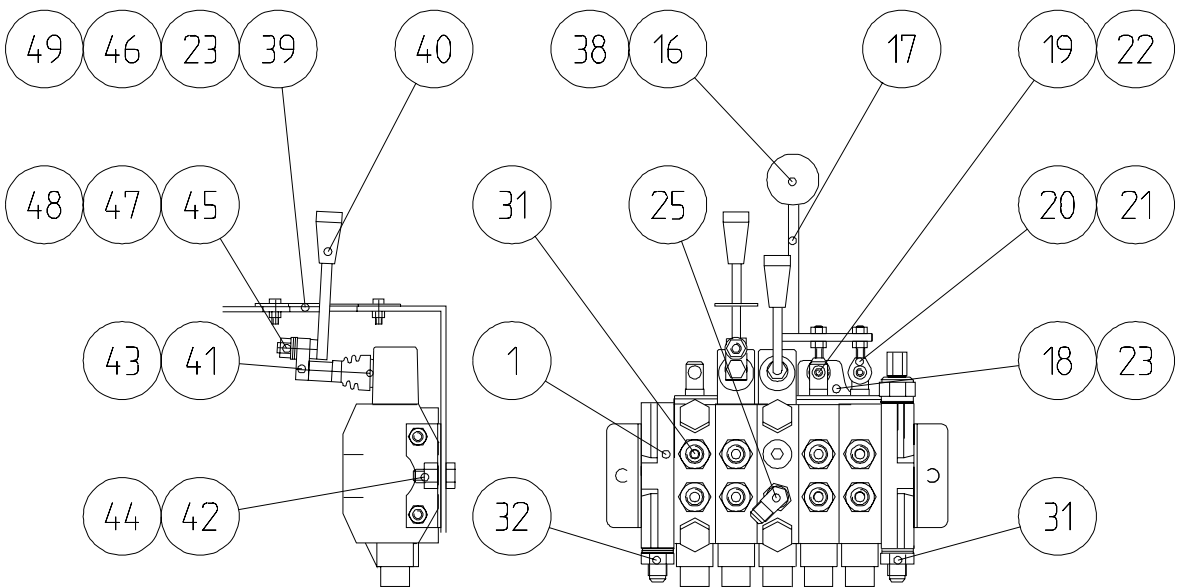
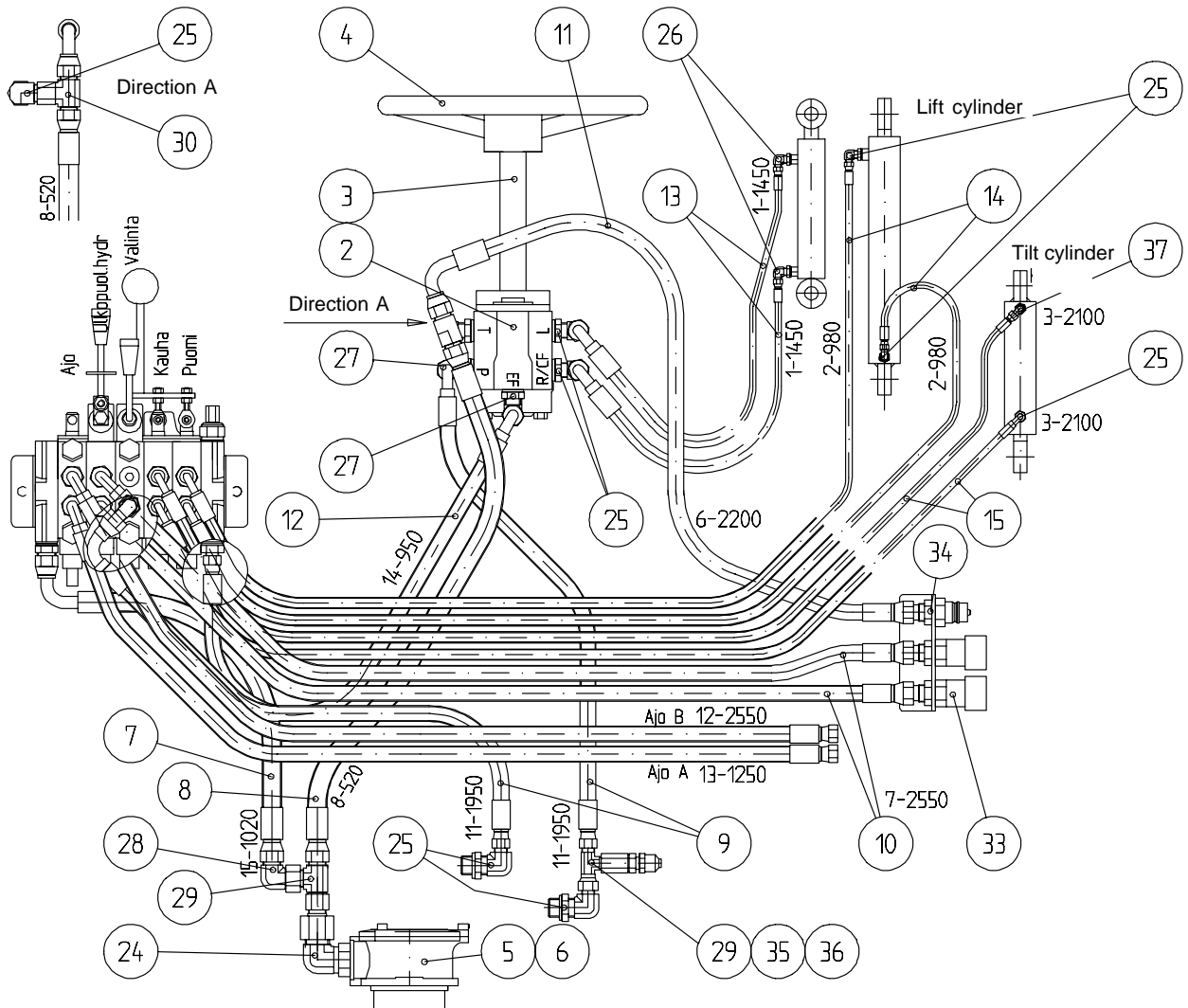
1	64108	1	OIL COOLER CELL 619 R34 I
2	A42691	1	FRAME
3	A43175	1	FAN ENCLOSURE
4	A42810	1	RETURN PIPE
5	A43046	1	HYDRAULIC HOSE L=900 JIC20-JIC20 45
6	64198	1	FAN 12V 835 201 50002
7	64345	1	BASIC FITTING XGE 15-PL/R 3/4"-ED
8	73953	1	ADJUSTABLE ELBOW FITTING EVW 15-PL
9	64109	1	ELBOW FITTING 45° V40XS20-3/4"
10	64319	1	BASIC FITTING XGE 15-PL/R 3/8"-ED
11	73039	4	HEXAGONAL SCREW M8*16 DIN 933 ZN
12	72132	3	HEXAGONAL SCREW M8*225 DIN 933 ZN
13	72133	2	HEXAGONAL SCREW M8*30 DIN 933
14	72320	6	HEXAGONAL NUT M8 DIN 985 NYLOC
15	73122	3	WASHER M8 DIN 125 ZN

## PARKING BRAKE A31440



1	A31387	1	PARKING BRAKE MULTI
2	A43438	1	LEVER, PARKING BRAKE
3	64037	1	PRESSURE SPRING SF-TF 2,5*20*75
4	A42876	1	WIRE, PARKING BRAKE
6	73488	1	HEXAGONAL SCREW M10*60 DIN 933 ZN
7	72118	2	HEXAGONAL SCREW M6*20 DIN 933
8	72321	2	HEXAGONAL NUT M10 DIN 934
9	72322	1	HEXAGONAL NUT M10 DIN 985 NYLOC
10	72318	2	HEXAGONAL NUT M6 DIN 985 NYLOC
11	72130	2	HEXAGONAL SCREW M8*20 DIN 933 ZN
12	72320	2	HEXAGONAL NUT M8 DIN 985 NYLOC

# MAIN CONTROL VALVE + HOSE ASSEMBLY A31408



1	64179	1	CONTROL VALVE HIDROIRMA HDS 10/5
2	64178	1	CONTROL BLOCK DANFOSS OSPC 80 LS
3	64177	1	STEER. WHEEL ROD DANFOSS OTPB150(150-5032)
4	64192	1	STEERING WHEEL COBO F300+KNOB+COVER PLATE
5	64176	1	HYDRAULIC OIL FILTER OMTF75-20
6	74093	1	FILTER ELEMENT F5-6/P20 (CR65-20)
7	A42924	1	HYDRAULIC HOSE L=1020 R1AT-08
8	A42913	1	HYDRAULIC HOSE L=520 R1AT-08
9	A42916	2	HYDRAULIC HOSE L=1950 R2AT-06
10	A42912	2	HYDRAULIC HOSE L=2250 R2AT-06
11	A42911	1	HYDRAULIC HOSE L=2200 R1AT-06
12	A42923	1	HYDRAULIC HOSE L=950 R2AT-06
13	A42907	2	HYDRAULIC HOSE L=1450 R1AT-04
14	A42908	2	HYDRAULIC HOSE L=980 R1AT-04
15	A42909	2	HYDRAULIC HOSE L=2100 R1AT-04 JIC10-
16	72624	1	BALL KNOB, M8 C40 BAKELITE
17	A42841	1	CONTROL LEVER, ASSEMBLY
18	A42838	1	EAR, ASSEMBLY
19	A41821	2	CONTROL LEVER PIN
20	63690	3	JOINT ARM ASAHI JAM 6
21	72317	6	HEXAGONAL NUT M6 DIN 934
22	A41822	4	LEVER NUT M6
23	72110	2	HEXAGONAL SCREW M5*16 DIN 933
24	64167	1	ELBOW FITTING 90° C40XS18-3/4"
25	64044	10	ELBOW FITTING 90° C40XS10-3/8
26	64087	2	ELBOW FITTING 90° C40XS10-1/4"
27	64166	2	ELBOW FITTING 90° C40XS10-1/2"
28	64134	1	ELBOW FITTING 90° C6XS12
29	64050	1	L FITTING BODY R6XS12
30	64050	1	L FITTING BODY R6XS12
31	64041	9	BASIC FITTING F40XS10-3/8"
32	64042	1	BASIC FITTING F40XS12-3/8"
33	64190	2	QUICK FITTING BODY 1/2" 2V54-T5X4
34	64189	1	QUICK FITTING 1/2" 4V14-T5X4
35	64196	1	MANOMETER FITTING M16*2
36	64195	1	TEST FITTING TT4XS10-1/4"
37	64111	1	ELBOW FITTING 90° COA-10-3/8"
38	74327	1	RUBBER COVER F12/56*40 32053
39	A43090	1	COVER PLATE
40	A43091	1	LEVER, ASSEMBLY
41	A43092	1	CONNECTING PIECE
42	72150	2	HEXAGONAL SCREW M10*25 DIN 933 ZN
43	72132	1	HEXAGONAL SCREW M8*25 DIN 933 ZN
44	72322	2	HEXAGONAL NUT M10 DIN 985 NYLOC
45	72320	1	HEXAGONAL NUT M8 DIN 985 NYLOC
46	72315	2	HEXAGONAL NUT M5 DIN 985 NYLOC
47	73122	2	WASHER M8 DIN 125 ZN
48	73962	1	SPRING WASHER M8 DIN 127





1	64179	1	CONTROL VALVE HIDROIRMA HDS 10/5
2	64178	1	CONTROL BLOCK DANFOSS OSPC 80 LS
3	64177	1	STEER. WHEEL ROD DANFOSS OTPB150(150-5032)
4	64192	1	STEERING WHEEL COBO F300+KNOB+COVER PLATE
5	64176	1	HYDRAULIC OIL FILTER OMTF75-20
6	74093	1	FILTER ELEMENT F5-6/P20 (CR65-20)
7	64111	1	ELBOW FITTING 90° COA-10-3/8",
8	A42913	1	HYDRAULIC HOSE L=520 R1AT-08
9	A42916	2	HYDRAULIC HOSE L=1950 R2AT-06
10	A42912	2	HYDRAULIC HOSE L=2250 R2AT-06
11	A42911	1	HYDRAULIC HOSE L=2200 R1AT-06
12	A42923	1	HYDRAULIC HOSE L=950 R2AT-06
13	A42907	2	HYDRAULIC HOSE L=1450 R1AT-04
14	A42908	2	HYDRAULIC HOSE L=980 R1AT-04
15	A42909	2	HYDRAULIC HOSE L=2100 R1AT-04 JIC10-
16	72624	1	BALL KNOB, M8 C40 BAKELITE
17	A42841	1	CONTROL LEVER, ASSEMBLY
18	A42838	1	EAR, ASSEMBLY
19	A41821	2	CONTROL LEVER PIN
20	63690	3	JOINT ARM ASAHI JAM 6
21	72317	6	HEXAGONAL NUT M6 DIN 934
22	A41822	4	LEVER NUT M6
23	72110	4	HEXAGONAL SCREW M5*16 DIN 933
25	64044	9	ELBOW FITTING 90° C40XS10-3/8"
26	64087	2	ELBOW FITTING 90° C40XS10-1/4"
27	64166	2	ELBOW FITTING 90° C40XS10-1/2"
28	74327	1	RUBBER COVER F12/56*40 32053
29	64050	1	L FITTING BODY R6XS12
30	64050	1	L FITTING BODY R6XS12
31	64041	9	BASIC FITTING F40XS10-3/8"
32	64101	1	REDUCER TRTXS18-12
33	64190	2	QUICK FITTING BODY 1/2" 2V54-T5X4
34	64189	1	QUICK FITTING 1/2" 4V14-T5X4
35	64196	1	MANOMETER FITTING M16*2
36	64167	1	ELBOW FITTING 90° C40XS18-3/4"
37	64170	1	L FITTING BODY R6XS18
38	64195	1	TEST FITTING TT4XS10-1/4"
39	A43090	1	COVER PLATE
40	A43091	1	LEVER, ASSEMBLY
41	A43092	1	CONNECTING PIECE
42	72150	2	HEXAGONAL SCREW M10*25 DIN 933 ZN
43	72132	1	HEXAGONAL SCREW M8*25 DIN 933 ZN
44	72322	2	HEXAGONAL NUT M10 DIN 985 NYLOC
45	72320	1	HEXAGONAL NUT M8 DIN 985 NYLOC
46	72315	2	HEXAGONAL NUT M5 DIN 985 NYLOC
47	73122	2	WASHER M8 DIN 125 ZN
48	73962	1	SPRING WASHER M8 DIN 127